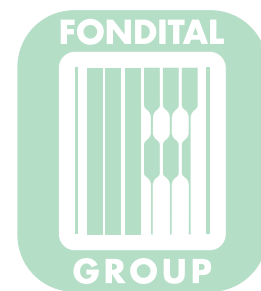
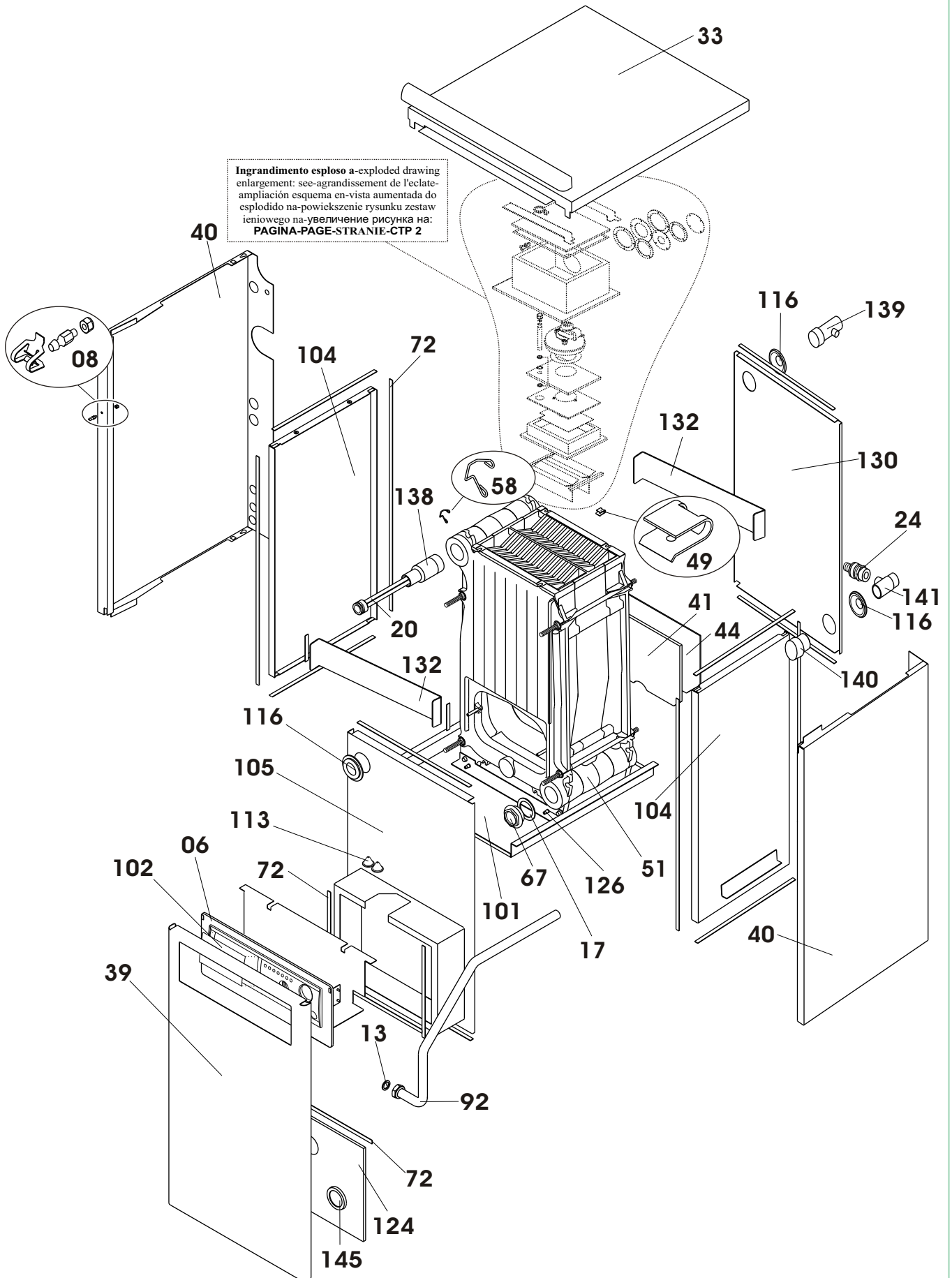


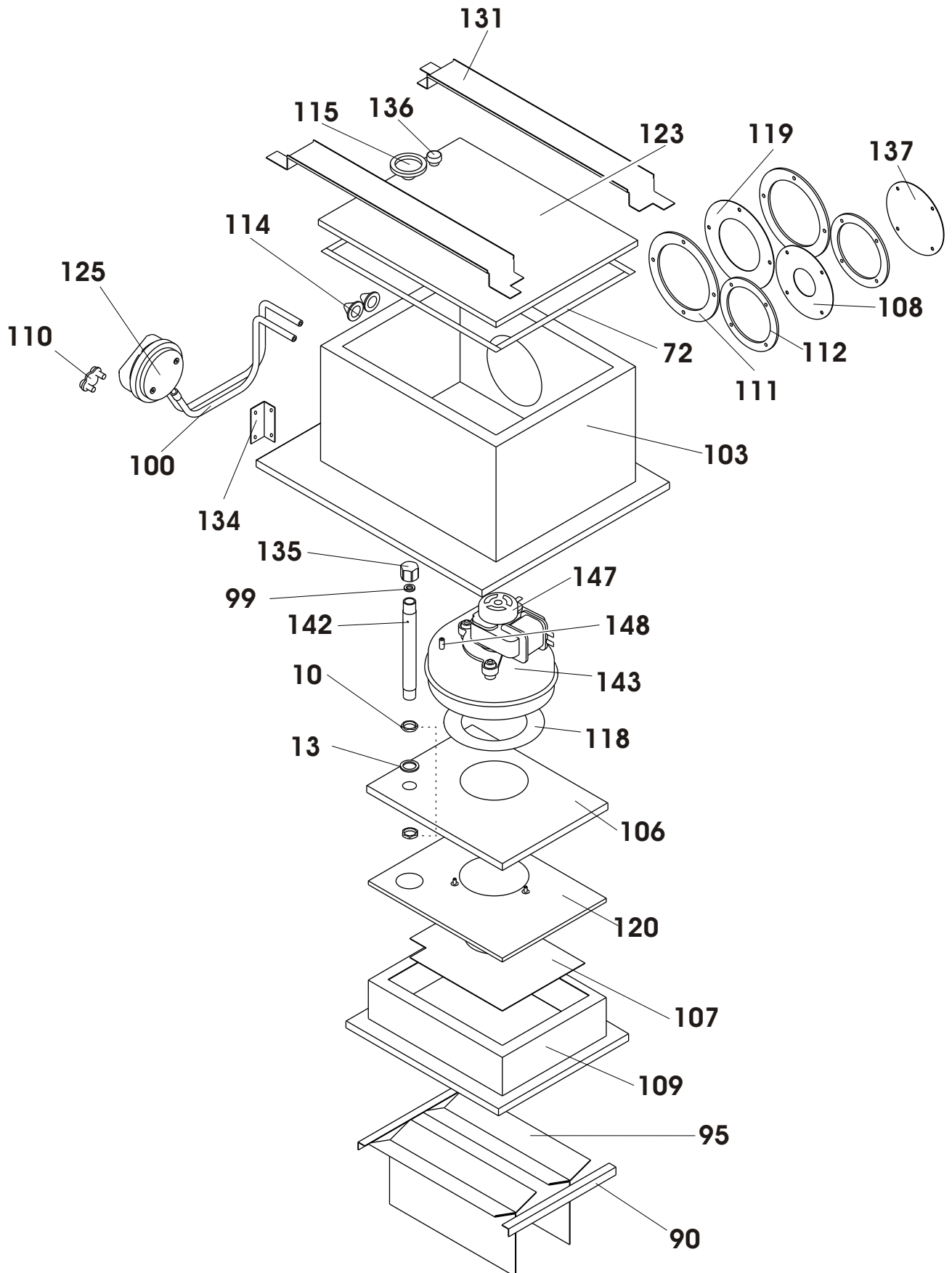
ESPLOSO E LISTA RICAMBI

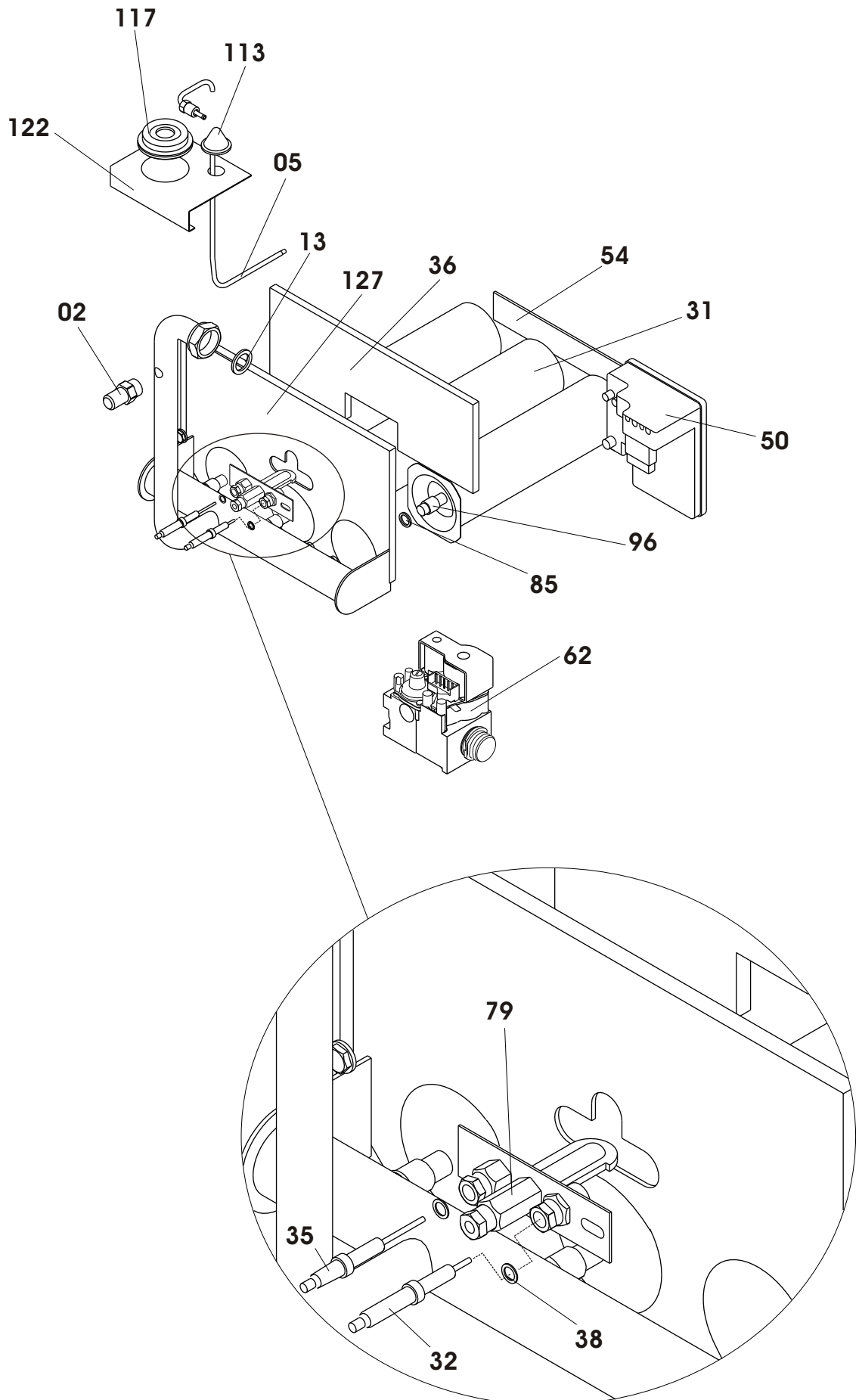
Bali RTN
Bali RTFS

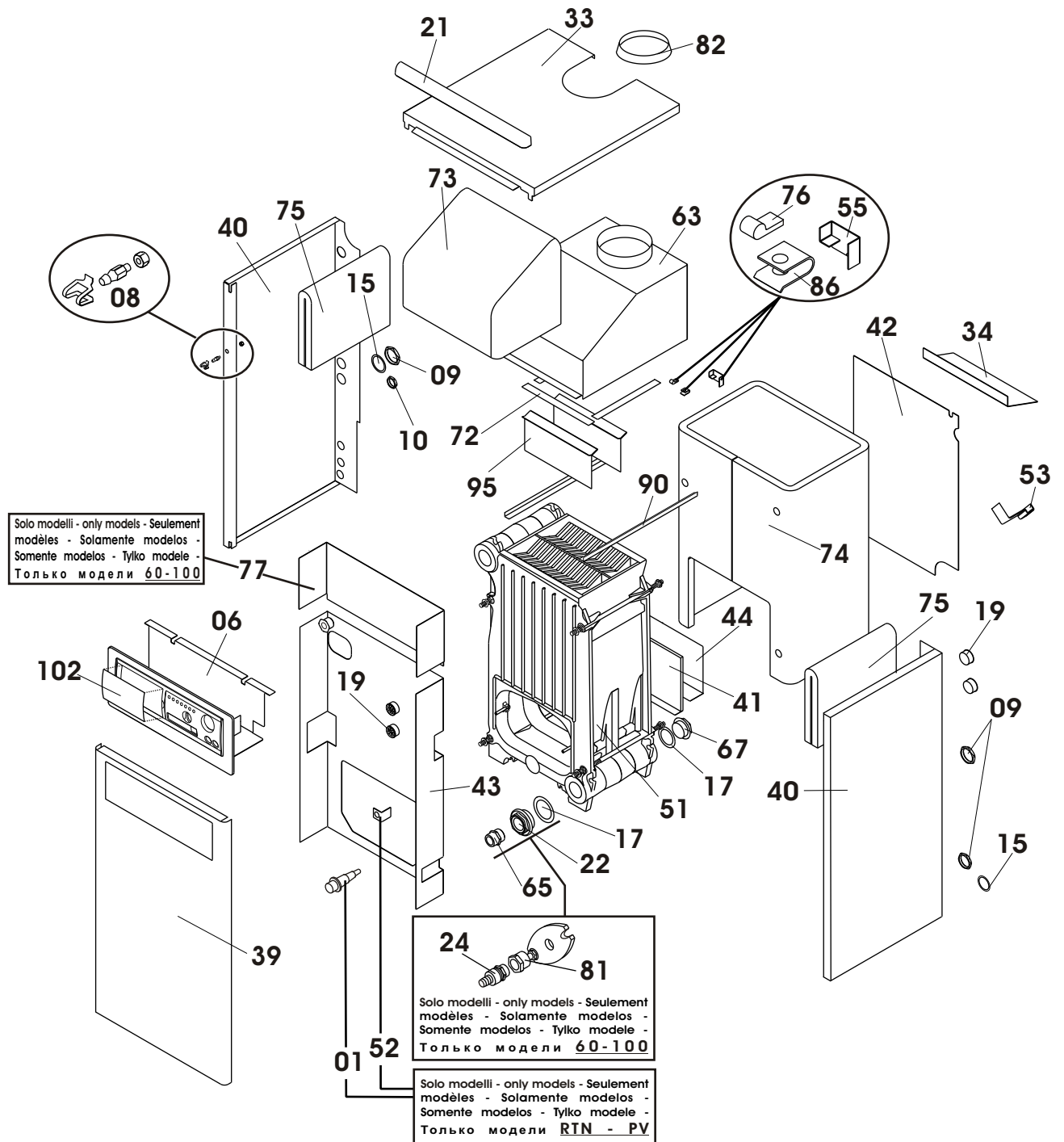


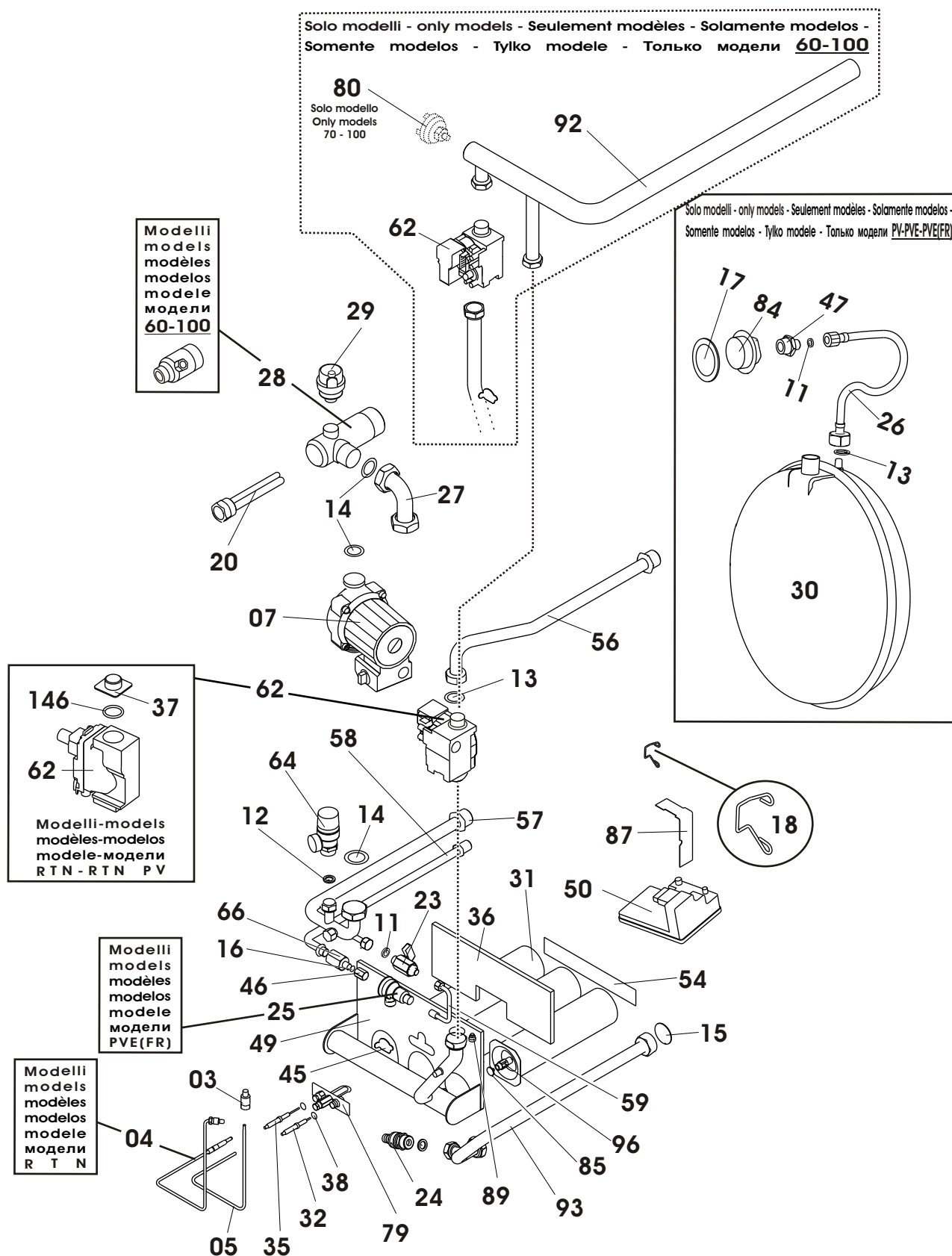
Altair RTN
Altair RTFS

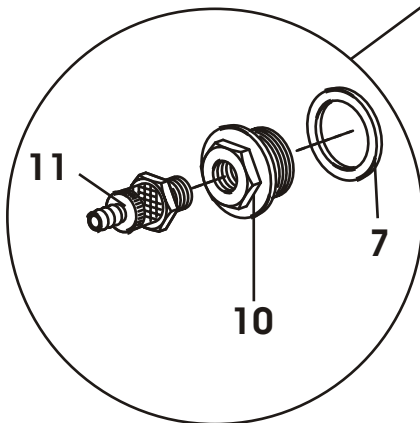
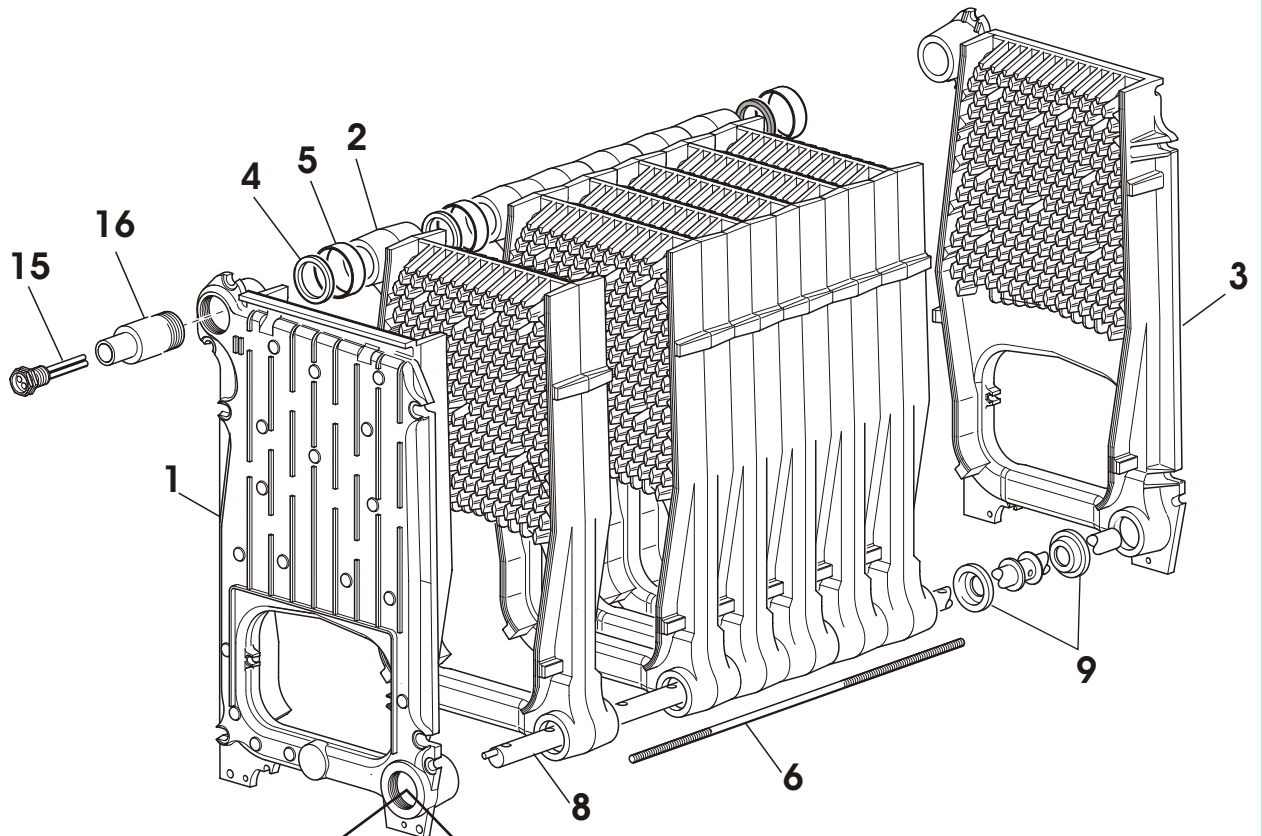




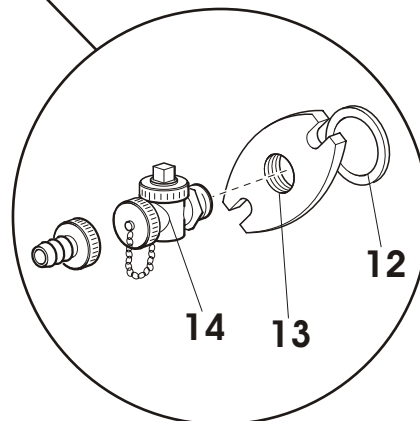




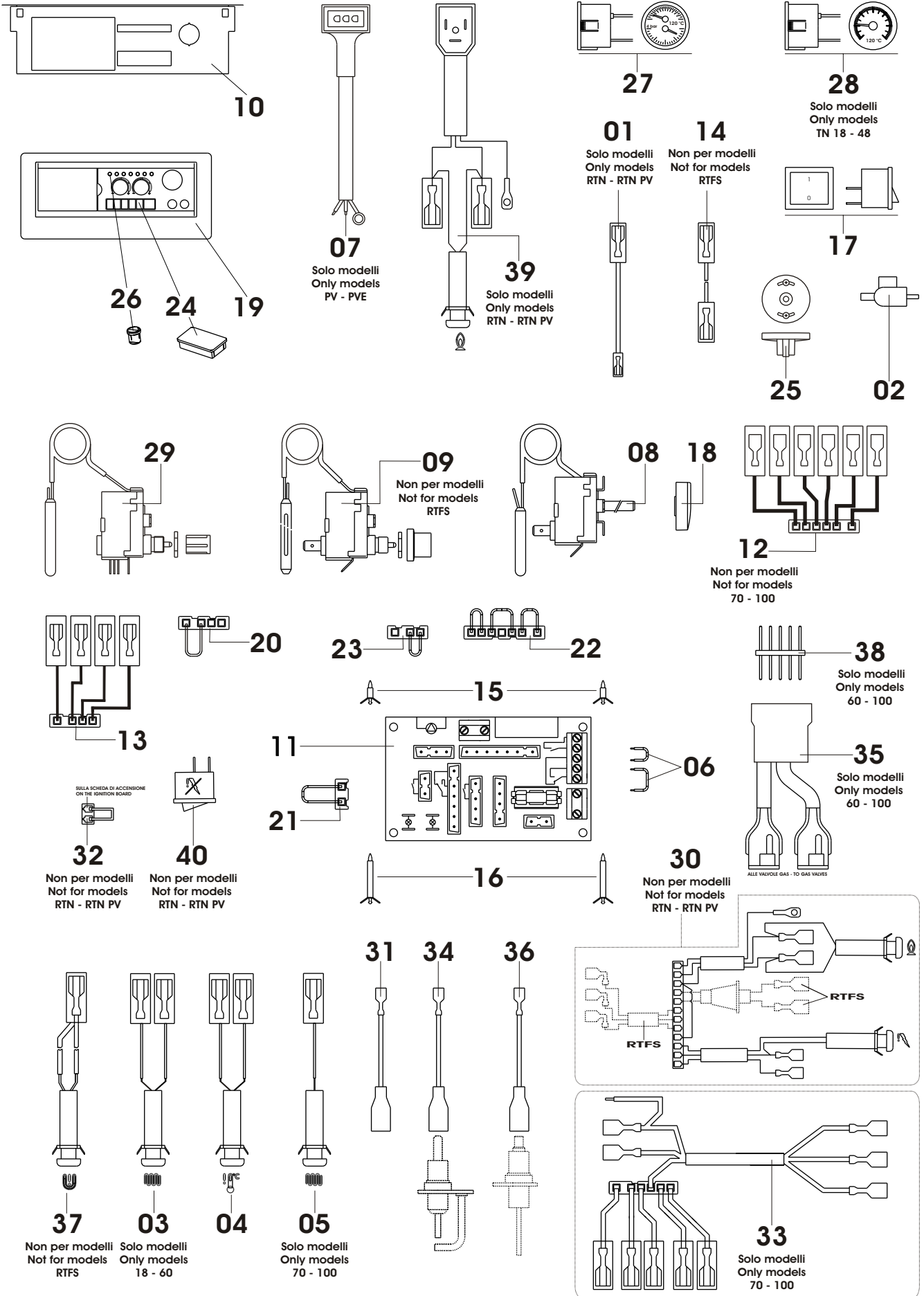




**Modelli
18-48**



**Modelli
60-100**



Riferimenti esploso Bali-Altair R

| Esp | Codice | Pezzi | Descrizione | Description |
|-----|------------|-------|---|--|
| 1 | 6Y41276000 | 1 | PIEZO | PIEZO |
| 2 | 6Y41279600 | 3 | PRESA DI PRESSIONE GAS | GAS PRESSURE TUBE |
| 3 | 6Y41305000 | 1 | RACCORDO E BICONO | FITTING AND BICONE |
| 4 | 6Y41383000 | 1 | TERMOCOPPIA MM 600 | THERMOCOUPLE MM 600 |
| 5 | 6WTUPILO00 | 1 | TUBO ALLUMINIO | PILOT ALUMINIUM PIPE |
| 6 | 6QUABAAS00 | 1 | QUADRO ELETTRICO BALI/ALTAIR 18-48 RTN | ELECTRIC BOX FOR BALI-ALTAIR 18-48 RTN |
| | 6QUABAAS01 | 1 | QUADRO ELETTRICO BALI/ALTAIR 18-48 RTN E | ELECTRIC BOX FOR BALI-ALTAIR 18-48 RTN E |
| | 6QUABAAS02 | 1 | QUADRO ELETTRICO BALI/ALTAIR 60 RTN E | ELECTRIC BOX FOR BALI-ALTAIR 60 RTN E |
| | 6QUABAAS03 | 1 | QUADRO ELETTRICO BALI/ALTAIR 70-100 RTN E | ELECTRIC BOX FOR BALI-ALTAIR 70-100 RTN E |
| | 6QUABAAS04 | 1 | QUADRO ELETTRICO BALI/ALTAIR 18-36 RTN PV | ELECTRIC BOX FOR BALI-ALTAIR 18-36 RTN PV |
| | 6QUABAAS05 | 1 | QUADRO ELETTRICO BALI/ALTAIR 18-36 RTN PVE | ELECTRIC BOX FOR BALI-ALTAIR 18-36 RTN PVE |
| | 6QUABAAS06 | 1 | QUADRO ELETTRICO BALI/ALTAIR 18-36 RTFS E | ELECTRIC BOX FOR BALI-ALTAIR 18-36 RTFS E |
| 7 | 6CIRCOLA03 | 1 | CIRCOLATORE SENZA DEGASATORE | CIRCULATING PUMP WITHOUT DEGASSER |
| 8 | 6KRICAPB00 | 10 | KIT RICAMBIO AGGANCIO PANNELLATURA | SPARES KIT FOR BASE PANEL HOOKING |
| 9 | 6GHIEROT01 | 3 | GHIERA 3/4" | RING NUT G3/4" |
| 10 | 6GHIEROT03 | 3 | GHIERA 3/8" | 3-8" RING NUT |
| 11 | 6GUARNIZ02 | 10 | GUARNIZIONE 11X5 | GASKET 11X5 |
| 12 | 6GUARNIZ04 | 10 | GUARNIZIONE 18X12 | GASKET 18X12 |
| 13 | 6GUARNIZ05 | 10 | GUARNIZIONE 24X17 | GASKET 24X17 |
| 14 | 6GUARNIZ07 | 10 | GUARNIZIONE 30X21 | GASKET 30X21 |
| 15 | 6GUARNIZ08 | 10 | GUARNIZIONE 34X27X1 | GASKET 34X27X1 |
| 16 | 6GUARNIZ09 | 10 | GUARNIZIONE 8 X 4 X1/5 | GASKET 8 X 4 X1/5 |
| 17 | 6GUARNIZ10 | 5 | GUARNIZIONE 56X41X2 | GASKET 56X41X2 |
| 18 | 6MOLBLCA00 | 5 | MOLLA BLOCCA CAPILLARE | CAPILLARY LOCK SPRING |
| 19 | 6PASSACA01 | 5 | PASSACAVO IN PLASTICA | PLASTIC CABLE GUIDE |
| 20 | 6PORTBUT00 | 1 | PORTA BULBI 3/4" MASCHIO | BULB HOLDER 3/4" MALE |
| | 6PORTBUT01 | 1 | PORTA BULBI 3/4" MASCHIO | BULB HOLDER 3/4" X 220M |
| 21 | 6PROFIPL00 | 1 | PROFILATO IN PLASTICA DA 450MM | PLASTIC SECTION, SIZE 450MM |
| 22 | 6RIDUZIO00 | 1 | RIDUZIONE 1-1/4" M X 3/4" F | ADAPTER 1-1/4" M X 3/4" F |
| 23 | 6RUBICAR02 | 1 | RUBINETTO DI CARICO 1/4" M X M10X1 M | FILLING TAP 1/4" M X M10X1 M |
| 24 | 6RUBISCA04 | 1 | RUBINETTO DI SCARICO 1/2" | DRAIN COCK 1/2" |
| 25 | 6SCONNET00 | 1 | DISCONNETTORE (FRANCIA) | DISCONNECTOR (FOR FRANCE ONLY) |
| 26 | 6TUBFLEX00 | 1 | TUBO FLESSIBILE 3/4" F X 1/4" F | HOSE PIPE 3/4" F X 1/4" F |
| 27 | 6TUMOORB14 | 1 | CURVA | ELBOW |
| 28 | 6TUMOORB15 | 1 | RACCORDO DI MANDATA SUPERIORE | UPPER DELIVERY FITTING |
| | 6WTRONCG00 | 1 | TRONCHETTO 1-1/4"M X 3/4" F - ATTACCO MANOMETRO | STUB PIPE 1-1/4"M X 3/4" F - PRESSURE GAUGE PORT |
| 29 | 6VALSFAU01 | 1 | VALVOLA SFIATO AUTOMATICA | AUTOMATIC RELIEF VALVE |
| 30 | 6VASOESP05 | 1 | VASO D'ESPANSIONE 8 LITRI BASAMENTO | 8 LITRE EXPANSION TANK FLOOR-STANDING BOILER |
| | 6VASOESP06 | 1 | VASO D'ESPANSIONE 12 LITRI BASAMENTO | 12 LITRE EXPANSION TANK FLOOR-STANDING BOILER |
| | 6WVASESP00 | 1 | VASO D'ESPANSIONE 10L | EXPANSION VESSEL 10L |
| 31 | 6WBRUCIA00 | 1 | RAMPA BRUCIATORE BALI-ALTAIR 18-24 | BURNER RAMP FOR BALI-ALTAIR 18-24 |
| | 6WBRUCIA01 | 1 | RAMPA BRUCIATORE BALI-ALTAIR 32-36 | BURNER RAMP FOR BALI-ALTAIR 32-36 |
| | 6WBRUCIA02 | 1 | RAMPA BRUCIATORE BALI-ALTAIR 48 | BURNER RAMP FOR BALI-ALTAIR 48 |
| | 6WBRUCIA03 | 1 | RAMPA BRUCIATORE BALI-ALTAIR 60 | BURNER RAMP FOR BALI-ALTAIR 60 |
| | 6WBRUCIA04 | 1 | RAMPA BRUCIATORE BALI-ALTAIR 70 | BURNER RAMP FOR BALI-ALTAIR 70 |
| | 6WBRUCIA05 | 1 | RAMPA BRUCIATORE BALI-ALTAIR 80 | BURNER RAMP FOR BALI-ALTAIR 80 |

| | | | | |
|----|------------|---|---|--|
| 31 | 6WBRUCIA06 | 1 | RAMPA BRUCIATORE BALI-ALTAIR 90 | BURNER RAMP FOR BALI-ALTAIR 90 |
| | 6WBRUCIA07 | 1 | RAMPA BRUCIATORE BALI-ALTAIR 100 | BURNER RAMP FOR BALI-ALTAIR 100 |
| 32 | 6WCANACC00 | 3 | CANDELA DI ACCENSIONE | IGNITER PLUG |
| | 6COPCALE27 | 1 | COPERCHIO BALI-ALTAIR RTN 18-24 | COVER FOR BALI-ALTAIR RTN 18-24 |
| | 6COPCALE28 | 1 | COPERCHIO BALI-ALTAIR RTN 32-36 | COVER FOR BALI-ALTAIR RTN 32-36 |
| | 6COPCALE29 | 1 | COPERCHIO BALI-ALTAIR RTN 48 | COVER FOR BALI-ALTAIR RTN 48 |
| | 6COPCALE30 | 1 | COPERCHIO BALI-ALTAIR RTFS 18-24 | COVER FOR BALI-ALTAIR RTFS 18-24 |
| 33 | 6COPCALE31 | 1 | COPERCHIO BALI-ALTAIR RTFS 32-36 | COVER FOR BALI-ALTAIR RTFS 32-36 |
| | 6COPCALE22 | 1 | COPERCHIO BALI-ALTAIR RTN 60 | COVER FOR BALI-ALTAIR RTN 60 |
| | 6COPCALE23 | 1 | COPERCHIO BALI-ALTAIR RTN 70 | COVER FOR BALI-ALTAIR RTN 70 |
| | 6COPCALE24 | 1 | COPERCHIO BALI-ALTAIR RTN 80 | COVER FOR BALI-ALTAIR RTN 80 |
| | 6COPCALE25 | 1 | COPERCHIO BALI-ALTAIR RTN 90 | COVER FOR BALI-ALTAIR RTN 90 |
| | 6COPCALE26 | 1 | COPERCHIO BALI-ALTAIR RTN 100 | COVER FOR BALI-ALTAIR RTN 100 |
| | 6WDEFFUM00 | 1 | DEFLETTORE FUMI RTN | FLUE GAS DEFLECTOR FOR RTN |
| 34 | 6WDEFFUM01 | 1 | DEFLETTORE FUMI RTN E 90 | FLUE GAS DEFLECTOR FOR RTN E 90 |
| | 6WDEFFUM02 | 1 | DEFLETTORE FUMI RTN E 100 | FLUE GAS DEFLECTOR FOR RTN E 100 |
| | 6WDEFFUM03 | 1 | DEFLETTORE FUMI RTN E 60-70-80 | FLUE GAS DEFLECTOR FOR RTN E 60-70-80 |
| 35 | 6WELRILE00 | 3 | ELETTRODO DI RILEVAZIONE FIAMMA (SOLO MOD. ELETTRONICI) | FLAME DETECTION ELECTRODE (ELECTRONIC MODELS ONLY) |
| 36 | 6WGUARIS00 | 1 | GUARNIZIONE ISOLANTE RAMPA GAS | GAS RAMP INSULATION GASKET |
| 37 | 6WRACFLA00 | 3 | RACCORDO 3/4" M FLANGIATO | FLANGED FITTING 3/4" M |
| 38 | 6WGUARPR00 | 5 | GUARNIZIONE DI PROTEZIONE DELLA CANDELA | SPARK PLUG PROTECTION GASKET |
| 39 | 6PANNELL62 | 1 | PANNELLO FRONTALE 18-48 | FRONT PANEL FOR 18-48 |
| | 6PANNELL53 | 1 | PANNELLO FRONTALE 60-100 | FRONT PANEL FOR 60-100 |
| | 6PANNELL59 | 1 | PANNELLO LATERALE 18-24 | SIDE PANEL FOR 18-24 |
| | 6PANNELL60 | 1 | PANNELLO LATERALE 32-36 | SIDE PANEL FOR 32-36 |
| | 6PANNELL61 | 1 | PANNELLO LATERALE 48 | SIDE PANEL FOR 48 |
| 40 | 6PANNELL54 | 1 | PANNELLO LATERALE 60 | SIDE PANEL FOR 60 |
| | 6PANNELL55 | 1 | PANNELLO LATERALE 70 | SIDE PANEL FOR 70 |
| | 6PANNELL56 | 1 | PANNELLO LATERALE 80 | SIDE PANEL FOR 80 |
| | 6PANNELL57 | 1 | PANNELLO LATERALE 90 | SIDE PANEL FOR 90 |
| | 6PANNELL58 | 1 | PANNELLO LATERALE 100 | SIDE PANEL FOR 100 |
| 41 | 6WPANNIS00 | 1 | PANNELLO ISOLANTE CHIUSURA POSTERIORE | REAR CLOSING INSULATION PANEL |
| 42 | 6SCHPOST04 | 1 | PANNELLO POSTERIORE PER CALDAIA A GAS | REAR PANEL FOR GAS BOILERS |
| 43 | 6PANPROT01 | 1 | PANNELLO DI PROTEZIONE PER CALDAIA A GAS | PROTECTION PANEL FOR GAS BOILERS |
| 44 | 6WPIASTC00 | 1 | PIASTRA CHIUSURA POSTERIORE PER CALDAIA A GAS | REAR CLOSING PLATE FOR GAS BOILERS |
| 45 | 6WPORTIN00 | 1 | PORTINA RAMPA BRUCIATORE RTFS | BURNER RAMP DOOR FOR RTFS |
| 46 | 6WRACCOR00 | 3 | RACCORDO M10X1F - M10X1F | FITTING M10X1F - M10X1F |
| 47 | 6WRACCOR01 | 3 | RACCORDO 1/2" M X 1/4" M | FITTING 1/2" M X 1/4" M |
| 49 | 6WRAMGAS00 | 1 | RAMPA GAS | GAS RAMP FOR |
| | 6WRAMGAS01 | 1 | PORTA BRUCIATORI 60-100 | BURNER SUPPORT FOR 60-100 |
| 50 | 6WSCEACC00 | 1 | SCHEDA DI ACCENSIONE RTN | IGNITION BOARD FOR RTN |
| | 6WSCEACC01 | 1 | SCHEDA DI ACCENSIONE RTFS | IGNITION BOARD FOR RTFS |
| | 6WSCGHIS00 | 1 | CORPO IN GHISA PER 18-24 | CAST IRON BODY FOR 18-24 |
| | 6WSCGHIS01 | 1 | CORPO IN GHISA PER 32-36 | CAST IRON BODY FOR 32-36 |
| 51 | 6WSCGHIS02 | 1 | CORPO IN GHISA PER 48 | CAST IRON BODY FOR 48 |
| | 6WSCGHIS03 | 1 | CORPO IN GHISA PER 60 | CAST IRON BODY FOR 60 |
| | 6WSCGHIS04 | 1 | CORPO IN GHISA PER 70 | CAST IRON BODY FOR 70 |
| | 6WSCGHIS05 | 1 | CORPO IN GHISA PER 80 | CAST IRON BODY FOR 80 |
| | 6WSCGHIS06 | 1 | CORPO IN GHISA PER 90 | CAST IRON BODY FOR 90 |
| | 6WSCGHIS07 | 1 | CORPO IN GHISA PER 100 | CAST IRON BODY FOR 100 |

| | | | | |
|------------|------------|---------------------------|--|--|
| 52 | 6WSTAFIS00 | 3 | STAFFA FISSAGGIO PIEZOELETTRICO | PIEZOELECTRIC CLAMP FOR |
| 53 | 6WSTAFIS01 | 1 | STAFFA VASO ESPANSIONE | EXPANSION VESSEL CLAMP FOR |
| 54 | 6WSTAFIS02 | 1 | STAFFA BLOCCAGGIO BRUCIATORE | BURNER LOCKING CLAMP FOR |
| 55 | 6WSTATER00 | 1 | STAFFA FISSAGGIO TERMOSTATO FUMI | FLUE GAS THERMOSTAT CLAMP FOR |
| 56 | 6WTUBGAS00 | 1 | TUBO DI ALIMENTAZIONE 18-24 | FEED PIPE FOR 18-24 |
| | 6WTUBGAS01 | 1 | TUBO DI ALIMENTAZIONE 32-36 | FEED PIPE FOR 32-36 |
| | 6WTUBGAS02 | 1 | TUBO DI ALIMENTAZIONE 48 | FEED PIPE FOR 48 |
| 57 | 6WTUBOID00 | 1 | TUBO DI MANDATA POMPA 18-24 | PUMP DELIVERY PIPE FOR 18-24 |
| | 6WTUBOID01 | 1 | TUBO DI MANDATA POMPA 32-36 | PUMP DELIVERY PIPE FOR 32-36 |
| | 6WTUBOID02 | 1 | TUBO DI MANDATA POMPA 48 | PUMP DELIVERY PIPE FOR 48 |
| 58 | 6WTUBOID03 | 1 | TUBO ACQUA FREDDA 18-24 | COLD WATER PIPE FOR 18-24 |
| | 6WTUBOID04 | 1 | TUBO ACQUA FREDDA 32-36 | COLD WATER PIPE FOR 32-36 |
| | 6WTUBOID05 | 1 | TUBO ACQUA FREDDA 48 | COLD WATER PIPE FOR 48 |
| 59 | 6WTUBOID06 | 1 | TUBO DI RIEMPIMENTO (SOLO PER FRANCIA) | FILLING PIPE FOR (FRANCE ONLY) |
| | 6WTUBOID07 | 1 | TUBO DI RIEMPIMENTO | FILLING PIPE FOR |
| 62 | 6WVALE00 | 1 | VALVOLA GAS RTFS - RTN E - RTN PVE | GAS VALVE FOR RTFS - RTN E - RTN PVE |
| | 6WVALTER00 | 1 | VALVOLA GAS RTN - RTN PV | GAS VALVE FOR RTN - RTN PV |
| 63 | 6WCAPFUM00 | 1 | CAPPA FUMI BALI-ALTAIR 18-24 | FLUE GAS HOOD FOR BALI-ALTAIR 18-24 |
| | 6WCAPFUM01 | 1 | CAPPA FUMI BALI-ALTAIR 32-36 | FLUE GAS HOOD FOR BALI-ALTAIR 32-36 |
| | 6WCAPFUM02 | 1 | CAPPA FUMI BALI-ALTAIR 48 | FLUE GAS HOOD FOR BALI-ALTAIR 48 |
| | 6WCAPFUM03 | 1 | CAPPA FUMI BALI-ALTAIR 60 | FLUE GAS HOOD FOR BALI-ALTAIR 60 |
| | 6WCAPFUM04 | 1 | CAPPA FUMI BALI-ALTAIR 70 | FLUE GAS HOOD FOR BALI-ALTAIR 70 |
| | 6WCAPFUM05 | 1 | CAPPA FUMI BALI-ALTAIR 80 | FLUE GAS HOOD FOR BALI-ALTAIR 80 |
| | 6WCAPFUM06 | 1 | CAPPA FUMI BALI-ALTAIR 90 | FLUE GAS HOOD FOR BALI-ALTAIR 90 |
| | 6WCAPFUM07 | 1 | CAPPA FUMI BALI-ALTAIR 100 | FLUE GAS HOOD FOR BALI-ALTAIR 100 |
| | 6WCAPFUM08 | 1 | CAPPA FUMI BALI-ALTAIR RTN 18 RIDOTTA | FLUE GAS HOOD FOR BALI-ALTAIR RTN 18 REDUCED |
| 64 | 6VALSIBA03 | 1 | VALVOLA DI SICUREZZA 1/2" 3 BAR | SAFETY VALVE, 1/2" 3 BAR |
| 65 | 6RACCORD04 | 1 | RACCORDO G3-4 X G3-4 MM | FITTING 3/4" X 3/4" M-M |
| 66 | 6RUBICAR03 | 1 | RUBINETTO DI CARICO (SOLO PER FRANCIA) | FILLING TAP (FOR FRANCE ONLY) |
| 67 | 6TAPCECO00 | 3 | TAPPO 1-1/4" M | PLUG 1-1/4" M |
| 72 | 6WGOMADE00 | 1 | GOMMA ADESIVA DI NEOPRENE | ADHESIVE NEOPRENE RUBBER |
| 73 | 6WISKFUM00 | 1 | ISOLAMENTO CAPP A 18-24 | HOOD INSULATION FOR 18-24 |
| | 6WISKFUM01 | 1 | ISOLAMENTO CAPP A 32-36 | HOOD INSULATION FOR 32-36 |
| | 6WISKFUM02 | 1 | ISOLAMENTO CAPP A 48 | HOOD INSULATION FOR 48 |
| | 6WISKFUM03 | 1 | ISOLAMENTO CAPP A 60 | HOOD INSULATION FOR 60 |
| | 6WISKFUM04 | 1 | ISOLAMENTO CAPP A 70 | HOOD INSULATION FOR 70 |
| | 6WISKFUM05 | 1 | ISOLAMENTO CAPP A 80 | HOOD INSULATION FOR 80 |
| | 6WISKFUM06 | 1 | ISOLAMENTO CAPP A 90 | HOOD INSULATION FOR 90 |
| | 6WISKFUM07 | 1 | ISOLAMENTO CAPP A 100 | HOOD INSULATION FOR 100 |
| 74 | 6WISOAVO00 | 1 | ISOLAMENTO AVVOLGENTE 18-24 | ALL-ROUND INSULATION FOR 18-24 |
| | 6WISOAVO01 | 1 | ISOLAMENTO AVVOLGENTE 32-36 | ALL-ROUND INSULATION FOR 32-36 |
| | 6WISOAVO02 | 1 | ISOLAMENTO AVVOLGENTE 48 | ALL-ROUND INSULATION FOR 48 |
| | 6WISOAVO03 | 1 | ISOLAMENTO AVVOLGENTE 60 | ALL-ROUND INSULATION FOR 60 |
| | 6WISOAVO04 | 1 | ISOLAMENTO AVVOLGENTE 70 | ALL-ROUND INSULATION FOR 70 |
| | 6WISOAVO05 | 1 | ISOLAMENTO AVVOLGENTE 80 | ALL-ROUND INSULATION FOR 80 |
| | 6WISOAVO06 | 1 | ISOLAMENTO AVVOLGENTE 90 | ALL-ROUND INSULATION FOR 90 |
| 6WISOAVO07 | 1 | ISOLAMENTO AVVOLGENTE 100 | ALL-ROUND INSULATION FOR 100 | |
| 75 | 6WISOCOM00 | 1 | ISOLAMENTO COMPENSAZIONE 18-24 | COMPENSATION INSULATION FOR 18-24 |
| | 6WISOCOM01 | 1 | ISOLAMENTO COMPENSAZIONE 32-36 | COMPENSATION INSULATION FOR 32-36 |
| | 6WISOCOM02 | 1 | ISOLAMENTO COMPENSAZIONE 48 | COMPENSATION INSULATION FOR 48 |

| | | | | |
|------------|------------|------------|---|--|
| 75 | 6WISOCOM03 | 1 | ISOLAMENTO COMPENSAZIONE 60 | COMPENSATION INSULATION FOR 60 |
| | 6WISOCOM04 | 1 | ISOLAMENTO COMPENSAZIONE 70 | COMPENSATION INSULATION FOR 70 |
| | 6WISOCOM05 | 1 | ISOLAMENTO COMPENSAZIONE 80 | COMPENSATION INSULATION FOR 80 |
| | 6WISOCOM06 | 1 | ISOLAMENTO COMPENSAZIONE 90 | COMPENSATION INSULATION FOR 90 |
| | 6WISOCOM07 | 1 | ISOLAMENTO COMPENSAZIONE 100 | COMPENSATION INSULATION FOR 100 |
| 76 | 6WMOLTFU00 | 3 | MOLLETTA FISSAGGIO TERMOSTATO FUMI | FLUE GAS THERMOSTAT CLIP |
| 77 | 6PANPROT00 | 1 | PANNELLO PROTEZIONE SUP. 60-100 | UPPER PROTECTION PANEL FOR 60-100 |
| 79 | 6WPILOTA00 | 3 | PILOTA ACCENSIONE ELETTRONICA METANO | ELECTRONIC METHANE IGNITION PILOT |
| | 6WPILOTA01 | 3 | PILOTA ACCENSIONE PIEZOELETTRICA METANO | PIEZO-ELECTRONICMETHANE IGNITION PILOT |
| 79/A | 6WUGPMET00 | 5 | UGELLO PILOTA METANO BALI-ALTAIR | PILOT NOZZLE METHANE BALI-ALTAIR |
| | 6WUGPGPL00 | 5 | UGELLO PILOTA GPL BALI-ALTAIR | PILOT NOZZLE G30 BALI-ALTAIR |
| 80 | 6WPRESSG00 | 1 | PRESSOSTATO GAS 70-100 | GAS PRESSURE SWITCH FOR 70-100 |
| | 6WPRESSG01 | 1 | PRESSOSTATO GAS 70-100 SOLO PER RUSSIA | GAS PRESSURE SWITCH FOR 70-100 RUSSIA ONLY |
| 81 | 6WRACCOR02 | 3 | RACCORDO 3/4" M 1/2" F | FITTING 3/4" M 1/2" F |
| 82 | 6WRIDCAP00 | 3 | RIDUZIONE CAPP A FUMI 24-36 | FLUE GAS HOOD REDUCER FOR 24-36 |
| 84 | 6WRIDGHI00 | 1 | RIDUZIONE 1-1/4" M X 1/2" F | REDUCER 1-1/4" M X 1/2" F |
| 85 | 6WRONDAL00 | 10 | RONDELLA IN ALLUMINIO PER UGELLO | ALUMINIUM WASHER FOR NOZZLE |
| 86 | 6WINSERK00 | 5 | INSERTO PER VITE | SCREW INSERT |
| 87 | 6WSTAFSC00 | 1 | STAFFA PORTA SCHEDA D'ACCENSIONE | IGNITION BOARD HOLDER |
| 89 | 6WTAPVAL00 | 3 | TAPPO PER PILOTA | PILOT PLUG |
| 90 | 6WTELPRS00 | 1 | TELAIO PORTA STUCCO 48 | FILLER FRAME FOR 48 |
| | 6WTELPRS01 | 1 | TELAIO PORTA STUCCO 60 | FILLER FRAME FOR 60 |
| | 6WTELPRS02 | 1 | TELAIO PORTA STUCCO 70 | FILLER FRAME FOR 70 |
| | 6WTELPRS03 | 1 | TELAIO PORTA STUCCO 80 | FILLER FRAME FOR 80 |
| | 6WTELPRS04 | 1 | TELAIO PORTA STUCCO 90 | FILLER FRAME FOR 90 |
| | 6WTELPRS05 | 1 | TELAIO PORTA STUCCO 100 | FILLER FRAME FOR 100 |
| | 6WTELPRS06 | 1 | TELAIO PORTA STUCCO RTFS 18-24 | FILLER FRAME FOR RTFS 18-24 |
| 92 | 6WTELPRS07 | 1 | TELAIO PORTA STUCCO RTFS 32-36 | FILLER FRAME FOR RTFS 32-36 |
| | 6WTUBGAS03 | 1 | TUBO DI ALIMENTAZIONE GAS 60 | GAS FEED PIPE FOR 60 |
| | 6WTUBGAS04 | 1 | TUBO DI ALIMENTAZIONE GAS 70 | GAS FEED PIPE FOR 70 |
| | 6WTUBGAS05 | 1 | TUBO DI ALIMENTAZIONE GAS 80 | GAS FEED PIPE FOR 80 |
| | 6WTUBGAS06 | 1 | TUBO DI ALIMENTAZIONE GAS 90 | GAS FEED PIPE FOR 90 |
| | 6WTUBGAS07 | 1 | TUBO DI ALIMENTAZIONE GAS 100 | GAS FEED PIPE FOR 100 |
| | 6WTUBGAS08 | 1 | TUBO DI ALIMENTAZIONE GAS RTFS 18-24 | GAS FEED PIPE FOR RTFS 18-24 |
| | 6WTUBGAS09 | 1 | TUBO DI ALIMENTAZIONE GAS RTFS 32-36 | GAS FEED PIPE FOR RTFS 32-36 |
| | 93 | 6WTUBOID08 | 1 | TUBO DI RITORNO RTN 18-24 |
| 6WTUBOID09 | | 1 | TUBO DI RITORNO RTN 32-36 | RETURN PIPE FOR RTN 32-36 |
| 6WTUBOID10 | | 1 | TUBO DI RITORNO RTN 48 | RETURN PIPE FOR RTN 48 |
| 95 | 6WTURBUL00 | 1 | TURBOLATORE RTN 18-24 | TURBOFAN FOR RTN 18-24 |
| | 6WTURBUL01 | 1 | TURBOLATORE RTN 32-36 | TURBOFAN FOR RTN 32-36 |
| | 6WTURBUL02 | 1 | TURBOLATORE 100 | TURBOFAN FOR 100 |
| 96 | 6WUGELLO00 | 3 | UGELLO PER BALI-ALTAIR D.2,50 | NOZZLE FOR BALI-ALTAIR D.2,50 |
| | 6WUGELLO01 | 3 | UGELLO PER BALI-ALTAIR D.2,40 | NOZZLE FOR BALI-ALTAIR D.2,40 |
| | 6WUGELLO02 | 3 | UGELLO PER BALI-ALTAIR D.3,00 RALL. | NOZZLE FOR BALI-ALTAIR D.3,00 RALL. |
| | 6WUGELLO03 | 3 | UGELLO PER BALI-ALTAIR D.2,90 | NOZZLE FOR BALI-ALTAIR D.2,90 |
| | 6WUGELLO04 | 3 | UGELLO PER BALI-ALTAIR D.3,00 | NOZZLE FOR BALI-ALTAIR D.3,00 |
| | 6WUGELLO05 | 3 | UGELLO PER BALI-ALTAIR D.3,10 | NOZZLE FOR BALI-ALTAIR D.3,10 |
| | 6WUGELLO06 | 3 | UGELLO PER BALI-ALTAIR D.3,90 | NOZZLE FOR BALI-ALTAIR D.3,90 |
| | 6WUGELLO07 | 3 | UGELLO PER BALI-ALTAIR D.4,10 | NOZZLE FOR BALI-ALTAIR D.4,10 |
| | 6WUGELLO08 | 3 | UGELLO PER BALI-ALTAIR D.4,50 | NOZZLE FOR BALI-ALTAIR D.4,50 |

| | | | | |
|-----|------------|----|---|--|
| | 6WUGELLO09 | 3 | UGELLO PER BALI-ALTAIR D.4,90 | NOZZLE FOR BALI-ALTAIR D.4,90 |
| | 6WUGELLO10 | 3 | UGELLO PER BALI-ALTAIR D.5,20 | NOZZLE FOR BALI-ALTAIR D.5,20 |
| | 6WUGELLO11 | 3 | UGELLO PER BALI-ALTAIR D.1,50 | NOZZLE FOR BALI-ALTAIR D.1,50 |
| | 6WUGELLO12 | 3 | UGELLO PER BALI-ALTAIR D.1,70 | NOZZLE FOR BALI-ALTAIR D.1,70 |
| | 6WUGELLO13 | 3 | UGELLO PER BALI-ALTAIR D.1,80 | NOZZLE FOR BALI-ALTAIR D.1,80 |
| | 6WUGELLO14 | 3 | UGELLO PER BALI-ALTAIR D.2,05 | NOZZLE FOR BALI-ALTAIR D.2,05 |
| | 6WUGELLO15 | 3 | UGELLO PER BALI-ALTAIR D.2,20 | NOZZLE FOR BALI-ALTAIR D.2,20 |
| | 6WUGELLO16 | 3 | UGELLO PER BALI-ALTAIR D.1,25 | NOZZLE FOR BALI-ALTAIR D.1,25 |
| 96 | 6WUGELLO17 | 3 | UGELLO PER BALI-ALTAIR D.2,60 | NOZZLE FOR BALI-ALTAIR D.2,60 |
| | 6WUGELLO18 | 3 | UGELLO PER BALI-ALTAIR D.2,75 | NOZZLE FOR BALI-ALTAIR D.2,75 |
| | 6WUGELLO19 | 3 | UGELLO PER BALI-ALTAIR D.3,05 | NOZZLE FOR BALI-ALTAIR D.3,05 |
| | 6WUGELLO20 | 3 | UGELLO PER BALI-ALTAIR D.2,10 | NOZZLE FOR BALI-ALTAIR D.2,10 |
| | 6WUGELLO21 | 3 | UGELLO PER BALI-ALTAIR D.3,30 | NOZZLE FOR BALI-ALTAIR D.3,30 |
| | 6WUGELLO22 | 3 | UGELLO PER BALI-ALTAIR D.3,50 | NOZZLE FOR BALI-ALTAIR D.3,50 |
| | 6WUGELLO23 | 3 | UGELLO PER BALI-ALTAIR D.5,80 | NOZZLE FOR BALI-ALTAIR D.5,80 |
| | 6WUGELLO24 | 3 | UGELLO PER BALI-ALTAIR D.6,20 | NOZZLE FOR BALI-ALTAIR D.6,20 |
| | 6WUGELLO25 | 3 | UGELLO PER BALI-ALTAIR D.7,00 | NOZZLE FOR BALI-ALTAIR D.7,00 |
| 99 | 6GUARNIZ03 | 10 | GUARNIZIONE 14X8 | GASKET 14X8 |
| 100 | 6YTUBCON02 | 3m | TUBO IN SILICONE DIAMETRO INT. 4, ESTERNO 8 | SILICONE PIPE: INSIDE Ø 4 MM, OUTSIDE Ø 8 MM |
| 101 | 6WBASGAS00 | 1 | BASAMENTO PER BALI-ALTAIR RTFS 18-24 | BASEMENT FOR BALI-ALTAIR RTFS 18-24 |
| | 6WBASGAS01 | 1 | BASAMENTO PER BALI-ALTAIR RTFS 32-36 | BASEMENT FOR BALI-ALTAIR RTFS 32-36 |
| 102 | 6SPORPAN01 | 1 | SPORTELLINO FONDITAL | FONDITAL PANEL GUARD |
| | 6SPORPAN02 | 1 | SPORTELLINO NOVA FLORIDA | NOVA FLORIDA PANEL GUARD |
| 103 | 6WCAPCAS01 | 1 | CAPPELLO CASSONE BALI-ALTAIR RTFS 32-36 | BOX COVER FOR BALI-ALTAIR RTFS 32-36 |
| | 6WCAPCAS02 | 1 | CAPPELLO CASSONE BALI-ALTAIR RTFS 18-24 | BOX COVER FOR BALI-ALTAIR RTFS 18-24 |
| 104 | 6WCASLAT00 | 1 | LATERALE CASSONE BALI-ALTAIR RTFS 18-24 | SIDE BOX PANEL FOR BALI-ALTAIR RTFS 18-24 |
| | 6WCASLAT01 | 1 | LATERALE CASSONE BALI-ALTAIR RTFS 32-36 | SIDE BOX PANEL FOR BALI-ALTAIR RTFS 32-36 |
| 105 | 6WCASSFR00 | 1 | FRONTALE CASSONE BALI-ALTAIR RTFS 18-36 | FRONT BOX PANEL FOR BALI-ALTAIR RTFS 18-36 |
| 106 | 6WCHIESF00 | 1 | CHIUSURA ESTRATTORE FUMI RTFS 18-24 | FLUE GAS EXTRACTOR CLOSING FOR RTFS 18-24 |
| | 6WCHIESF01 | 1 | CHIUSURA ESTRATTORE FUMI RTFS 32-36 | FLUE GAS EXTRACTOR CLOSING FOR RTFS 32-36 |
| 107 | 6WCONFUM00 | 1 | CONVOGLIATORE FUMI RTFS 18-24 | FLUE GAS DUCT FOR RTFS 18-24 |
| | 6WCONFUM01 | 1 | CONVOGLIATORE FUMI RTFS 32-36 | FLUE GAS DUCT FOR RTFS 32-36 |
| 108 | 6WDIAFRG00 | 3 | DIAFRAMMA D40MM RTFS 18-24 | DIAPHRAGM D40MM FOR RTFS 18-24 |
| | 6WDIAFRG01 | 3 | DIAFRAMMA D42MM RTFS 32-36 | DIAPHRAGM D42MM FOR RTFS 32-36 |
| 109 | 6WESTRFU00 | 1 | ESTRATTORE FUMI RTFS 18-24 | FLUE GAS DUCT FOR RTFS 18-24 |
| | 6WESTRFU01 | 1 | ESTRATTORE FUMI RTFS 32-36 | FLUE GAS DUCT FOR RTFS 32-36 |
| 110 | 6WFASCET00 | 3 | FASCETTA FISSAGGIO CAVO PRESS. | PRESSURE CABLE CLIP |
| 111 | 6WGRINAR00 | 3 | GUARNIZIONE INGRESSO ARIA RTFS | AIR INLET PIPE GASKET FOR RTFS |
| 112 | 6WGRINAR01 | 3 | GUARNIZIONE PER RTFS | GASKET FOR RTFS |
| 113 | 6WGUASIL00 | 5 | GUARNIZIONE D16 X 2 IN SILICONE | SILICONE GASKET, D16 X 2 |
| 114 | 6WGUASIL01 | 5 | GUARNIZIONE D16 X 4 IN SILICONE | SILICONE GASKET, D16 X 4 |
| 115 | 6WGUASIL02 | 1 | GUARNIZIONE D38 X 14 IN SILICONE | SILICONE GASKET, D38 X 14 |
| 116 | 6WGUASIL03 | 5 | GUARNIZIONE D52 X 24 IN SILICONE | SILICONE GASKET, D52 X 24 |
| 117 | 6WGUASIL04 | 5 | GUARNIZIONE D44 X 15 IN SILICONE | SILICONE GASKET, D44 X 15 |
| 118 | 6WGUAVEN00 | 1 | GUARNIZIONE PER VENTILATORE RTFS 18-24 | FAN GASKET FOR RTFS 18-24 |
| | 6WGUAVEN01 | 1 | GUARNIZIONE PER VENTILATORE RTFS 32-36 | FAN GASKET FOR RTFS 32-36 |
| 119 | 6WDIAFRG02 | 3 | DIAFRAMMA D75MM RTFS 18-24 | DIAPHRAGM D75MM FOR RTFS 18-24 |
| | 6WDIAFRG03 | 3 | DIAFRAMMA D78MM RTFS 32-36 | DIAPHRAGM D78MM FOR RTFS 32-36 |
| 120 | 6WISOCOF00 | 1 | ISOLANTE CONVOGLIATORE FUMI RTFS 18-24 | FLUE GAS DUCT INSULATION FOR RTFS 18-24 |
| | 6WISOCOF01 | 1 | ISOLANTE CONVOGLIATORE FUMI RTFS 32-36 | FLUE GAS DUCT INSULATION FOR RTFS 32-36 |

| | | | | |
|-----|------------|----|---|--|
| 122 | 6WLTUGAS00 | 1 | LAMIERA PASSAGGIO TUBO GAS RTFS | GAS PIPE CLEARANCE SHEET FOR RTFS |
| 123 | 6WPORTES00 | 1 | PORTINA ESTRAZIONE VENTILATORE RTFS | FAN EXTRACTION DOOR FOR RTFS |
| 124 | 6WPORTRA00 | 1 | PORTINA ESTRAZIONE RAMPA GAS RTFS | GAS RAMP EXTRACTION DOOR FOR RTFS |
| 125 | 6WPREARI00 | 1 | PRESSOSTATO ARIA RTFS 18-24 | AIR PRESSURE SWITCH FOR RTFS 18-24 |
| | 6WPREARI01 | 1 | PRESSOSTATO ARIA RTFS 32-36 | AIR PRESSURE SWITCH FOR RTFS 32-36 |
| 126 | 6YINSFIL00 | 10 | INSERTO FILETTATO | CLAMP FOR BURNER HOLDER AND WORK SCREW |
| 127 | 6WRAMGAS02 | 1 | PORTA BRUCIATORI RTFS | BURNER HOLDER FOR RTFS |
| 130 | 6WSCHCAS00 | 1 | SCHIENALE CASSONE RTFS | BOX REAR PANEL FOR RTFS |
| 131 | 6WSTAPLA00 | 1 | STAFFA FISSAGGIO PANNELLI LATERALI RTFS | SIDE PANEL CLAMP FOR RTFS |
| 132 | 6WSTBLCR00 | 1 | STAFFA BLOCCAGGIO CORPO RTFS | BODY LOCKING CLAMP FOR RTFS |
| 134 | 6WSTPRES00 | 1 | STAFFA SUPPORTO PRESSOSTATO RTFS | PRESSURE SWITCH SUPPORT CLAMP FOR RTFS |
| 135 | 6WTAPFUM00 | 3 | TAPPO 3/8" F | FEMALE PLUG 3/8" |
| 136 | 6WTAPFUM01 | 5 | TAPPO ILGA RTFS | ILGA PLUG FOR RTFS |
| 137 | 6WTAPINA00 | 3 | TAPPO INGRESSO ARIA RTFS | AIR INLET PLUG FOR RTFS |
| 138 | 6WTRGUNA00 | 1 | TRONCHETTO GUAINA RTFS | SHEATH STUB PIPE FOR RTFS |
| 139 | 6WTROMAN00 | 1 | TRONCHETTO DI MANDATA RTFS (Fino al 15/10/04) | DELIVERY STUB PIPE FOR RTFS (UNTIL 15/10/04) |
| | 6WTROMAN01 | 1 | TRONCHETTO DI MANDATA RTFS (Dal 15/10/04) | DELIVERY STUB PIPE FOR RTFS (FROM 15/10/04) |
| 140 | 6WTRORIT00 | 1 | TRONCHETTO DI RITORNO RTFS (Fino al 15/10/04) | RETURN STUB PIPE FOR RTFS (UNTIL 15/10/04) |
| | 6WTRORIT01 | 1 | TRONCHETTO DI RITORNO RTFS (Dal 15/10/04) | RETURN STUB PIPE FOR RTFS (FROM 15/10/04) |
| 141 | 6WTROSCA00 | 1 | TRONCHETTO DI SCARICO RITORNO RTFS | RETURN DRAIN STUB PIPE FOR RTFS |
| 142 | 6WTUPRFU00 | 1 | TUBO PRELIEVO FUMI RTFS | FLUE GAS INTAKE PIPE FOR RTFS |
| 143 | 6WVENFUM00 | 1 | VENTILATORE FUMI RTFS 18-24 | FLUE GAS FAN FOR RTFS 18-24 |
| | 6WVENFUM01 | 1 | VENTILATORE FUMI RTFS 32-36 | FLUE GAS FAN FOR RTFS 32-36 |
| 145 | 6WVETISP00 | 5 | GUARNIZIONE IN SILICONE CON VETRINO D49MM | SILICONE GASKET WITH GLASS D49MM |
| 146 | 6WGUAROR00 | 10 | GUARNIZIONE O-RING PER GLI IMPIANTI DI GAS | O-RING SEAL FOR GAS SYSTEMS |
| 147 | 6WPREPRB00 | 3 | PRESA DI PRESSIONE | PRESSURE TUBE FOR |
| 148 | 6WVENBAL00 | 1 | VENTURI PER VENTILATORE | VENTURI FAN TUBE FOR |

Corpo Scambiatore

| | | | | |
|----|------------|---|--|--|
| 1 | 6EESCPR02 | 1 | Elemento anteriore | FRONT HEAT EXCHANGER ELEMENT |
| 2 | 6EESCME02 | 1 | Elemento intermedio | MIDDLE HEAT EXCHANGER ELEMENT |
| 3 | 6EESCUL02 | 1 | Elemento posteriore lavorato 1"1/2 | REAR HEAT EXCHANGER ELEMENT, 1"1/2 |
| | 6EESCUL03 | 1 | Elemento posteriore lavorato 1"1/4 | REAR HEAT EXCHANGER ELEMENT, 1"1/4 |
| 4 | 6GUARMOZ00 | 4 | Guarnizione tenuta mozzi | GASKET |
| 5 | 6ANEGUAR00 | 4 | Anello contenimento guarnizione tenuta mozzi | GASKET RING |
| 6 | 6TIRCORP08 | 4 | Tirante M10x605 (HP2-36/57) | M10X605 (HP2-36/57) TIE ROD |
| | 6TIRCORP09 | 4 | Tirante M10x815 (HP2-46/76) | M10X815 (HP2-46/76) TIE ROD |
| | 6TIRCORP10 | 4 | Tirante M10x1020 (HP2-60/95) | M10X1020 (HP2-60/95) TIE ROD |
| | 6TIRCORP07 | 4 | Tirante M10x310 (LP2-23) | M10X310 (LP2-23) TIE ROD |
| | 6TIRCORP06 | 4 | Tirante M10x410 (LP2-34) | M10X410 (LP2-34) TIE ROD |
| 7 | 6GUARNIZ10 | 5 | Guarnizione 1" 1/4 | 1" 1/4 GASKET |
| 8 | 6TUBDIST02 | 1 | Tubo distributore (HP2-36/57) | HP2-36/57 WATER DISTRIBUTING PIPE |
| | 6TUBDIST03 | 1 | Tubo distributore (HP2-46/76) | HP2-46/76 WATER DISTRIBUTING PIPE |
| | 6TUBDIST04 | 1 | Tubo distributore (HP2-60/95) | HP2-60/95 WATER DISTRIBUTING PIPE |
| | 6GUADIST01 | 3 | Guarnizione per tubo distributore | WATER DISTRIBUTING PIPE GASKET |
| 10 | 6WRIDGHI00 | 1 | Tappo 1" 1/4 riduzione 1/2" | 1" 1/4 TO 1/2" CAP |
| 11 | 6RUBISCA04 | 1 | Rubinetto scarico impianto | SYSTEM DISCHARGE TAP |
| 12 | 6GUAFLAR00 | 1 | Guarnizione flangia ricambio | GASKET FOR SYSTEM DISCHARGE TAP FLANGE |
| 13 | 6FLASVUR00 | 1 | Flangia di svuotamento ricambio | SYSTEM DISCHARGE FLANGE |
| 14 | 6RUBISCR00 | 1 | Rubinetto scarico impianto 3/4" ricambio | 3/4" SYSTEM DISCHARGE TAP |
| 15 | 6PORTBUT01 | 1 | Guaina 3/4"x220 - 4 impronte con molla fissaggio | 3/4"X220 BULB HOLDER (4 PRINT AND SPRING) |

| 16 | 6RIDUZIO00 | 1 | Riduzione 1-1/4"-3/4" per quaina e manometro | 1-1/4" TO 3/4" ADAPTER FOR BULB HOLDER AND MANOMETER |
|-------------------------|------------|----|---|--|
| Quadro elettrico | | | | |
| 1 | 6Y41038100 | 1 | CAVO MASSA PIEZO | PIEZO WIRE |
| 2 | 6Y41116000 | 5 | FISSACAVO | CABLE CLIP |
| 3 | 6CABSEGI03 | 1 | CABLAGGIO SPIA GIALLA RISCALDAMENTO | HEATING YELLOW SIGNAL LAMP CABLE |
| 4 | 6CABSERO02 | 1 | CABLAGGIO SPIA ROSSA SOVRATEMPERATURA | OVERHEATING RED SIGNAL LAMP CABLE |
| 5 | 6CABSEGI04 | 1 | CABLAGGIO SPIA GIALLA RISC. PER 70-100 | HEATING YELLOW SIGNAL LAMP CABLE 70-100 |
| 6 | 6CAVOPON00 | 3 | CAVO PONTICELLI | JUMPER CABLE |
| 7 | 6CAVPOMS00 | 1 | CAVO POMPA SANITARIO | DHW PUMP CABLE |
| 8 | 6WTERREG00 | 1 | TERMOSTATO DI REGOLAZIONE TR2G 50-80°C | REGULATION THERMOSTAT TR2G 50-80°C |
| 9 | 6WTERFUM00 | 1 | TERMOSTATO FUMI LS1 90°C 18-48 | FLUE GAS THERMOSTAT LS1 90°C 18-48 |
| | 6WTERFUM01 | 1 | TERMOSTATO FUMI LS1 67°C 60-100 | FLUE GAS THERMOSTAT LS1 67°C 60-100 |
| 10 | 6WQUADEL00 | 1 | LAMIERA DEL QUADRO ELETTRICO | ELECTRIC BOX SHEET |
| 11 | 6CIRCSTA00 | 1 | CIRCUITO STAMPATO RISCALDAMENTO | CH PRINTED CIRCUIT |
| 12 | 6COLLEGA07 | 1 | CONNETTORE A TS E TR | CONNECTOR TO TS AND TR |
| 13 | 6COLLEGA12 | 1 | COLLEGAMENTI CON IG (SOLO PER RDB2) | CONNECTIONS WITH IG (FOR RDB2 ONLY) |
| 14 | 6COLLEGA26 | 1 | CONNESSIONE PER ALIMENTAZIONE | POWER SUPPLY CONNECTION |
| 15 | 6DISTSTA00 | 10 | DISTANZIALE CIRCUITO STAMPATO | PRINTED CIRCUIT SPACER |
| 16 | 6DISTSTA01 | 10 | DISTANZIALE CIRCUITO STAMPATO L=22,2MM | PRINTED CIRCUIT SPACER L=22,2MM |
| 17 | 6INTERRU01 | 3 | INTERRUTTORE GENERALE LUMINOSO | ILLUMINATED MASTER SWITCH |
| 18 | 6MANOTER00 | 5 | MANOPOLA DI REGOLAZIONE | REGULATION KNOB |
| 19 | 6PANNELL09 | 1 | PANNELLO PORTA STRUMENTI | INSTRUMENT HOLDER PANEL |
| 20 | 6PONESTI00 | 3 | PONTE ESCLUSIONE TIMER | TIMER CUT-OUT JUMPER |
| 21 | 6PONESTM00 | 1 | PONTE ESCLUSIONE TM (PREDISPOSTI BOLLITORE) | CUT-OUT JUMPER TM |
| 22 | 6PONRISC00 | 1 | PONTE ESCLUSIONE TM | CUT-OUT JUMPER TM |
| 23 | 6PONRISC01 | 1 | PONTE ESCLUSIONE TIMER (MODELLO SENZA BOLL.) | TIMER CUT-OUT JUMPER |
| 24 | 6TAPPINT00 | 5 | TAPPO INTERRUTTORE | SWITCH CAP |
| 25 | 6TAPPMAN00 | 5 | TAPPO MANOPOLA | KNOB CAP |
| 26 | 6TAPSPLU00 | 10 | TAPPO SPIA LUMINOSO | ILLUMINATED LIGHT CAP (NATURAL DRAFT ONLY) |
| 27 | 6TERMOID00 | 1 | TERMOIDROMETRO D40 | THERMOMANOMETER + WATER GAUGE D40 |
| 28 | 6TERMOMT01 | 1 | TERMOMETRO DI REGOLAZIONE CAP.1,5MT | CAPILLARY THERMOMETER 1.5M |
| 29 | 6TERMSIC00 | 1 | TERMOSTATO DI SICUREZZA LS1 110° C | SAFETY THERMOSTAT LS1 110° C |
| 30 | 6WCACFCA00 | 1 | CABLAGGIO CONTROLLO FIAMMA BALI-ALTAIR RTN E 18-48 | FLAME CONTROL CABLE FOR BALI-ALTAIR RTN E 18-48 |
| | 6WCACFCA01 | 1 | CABLAGGIO CONTROLLO FIAMMA BALI-ALTAIR RTN E 60-100 | FLAME CONTROL CABLE FOR BALI-ALTAIR RTN E 60-100 |
| | 6WCACFST00 | 1 | CABLAGGIO CONTR. FIAMMA BALI-ALTAIR 18-36 RTFS E | FLAME CONTROL CABLE FOR BALI-ALTAIR 18-36 RTFS E |
| 31 | 6WCOTEAT00 | 3 | COLLEGAMENTO TERRA E ALTA TENSIONE 18-48 | EARTHING AND HIGH-VOLTAGE CONN. 18-48 |
| 32 | 6WPONTTS00 | 3 | PONTICELLO TERMOSTATO DI SIC. CONT.FIAMMA | JUMPER FOR FLAME CONTROL THERMOSTAT |
| 33 | 6WCAPGAS00 | 1 | CABLAGGIO COLLEGAMENTO PRESS.GAS | GAS PRESSURE SWITCH CONNECTION CABLE |
| 34 | 6WCOCAAC00 | 1 | COLLEGAMENTO CANDELA D'ACCENSIONE RTN E - PVE | IGNITION SPARK PLUG CONNECTION FOR RTN E - PVE |
| | 6WCOCAAC01 | 1 | COLLEGAMENTO CANDELA D'ACCENSIONE RTFS E | IGNITION SPARK PLUG CONNECTION FOR RTFS E |
| | 6WCODIME00 | 1 | COLLEGAMENTO ACCENSIONE PIEZO RTN - RTN PV | PIEZOELECTRIC IGNITER CONNECTION RTN - RTN PV |
| 35 | 6WCOPAEV00 | 1 | COLLEGAMENTO PARALLELO ELETTRIODI | ELECTRODES PARALLEL CONNECTION |
| 36 | 6WCOCARI00 | 1 | COLLEGAMENTO CANDELA DI RILEVAZIONE RTN E - PVE | DETECTION SPARK PLUG CONNECTION FOR RTN E - PVE |
| | 6WCOCARI01 | 1 | COLLEGAMENTO CANDELA DI RILEVAZIONE RTFS E | DETECTION SPARK PLUG CONNECTION FOR RTFS E |
| 37 | 6WCOSETF00 | 3 | COLLEGAMENTO NEUTRO 70-100 RTN - E | NEUTRAL CONNECTION FOR 70-100 RTN - E |
| 38 | 6WCONNCS00 | 3 | CONNETTORE 5 POLI PER CIRCUITO STAMPATO | 5-POLE CONNECTOR FOR PRINTED CIRCUIT |
| 39 | 6WCOEVNO00 | 1 | COLLEGAMENTO ELETTRIO-VALVOLA GAS 18-48 | GAS SOLENOID VALVE CONNECTION FOR 18-48 |
| 40 | 6WPULSBL00 | 3 | PULSANTE DI SBLOCCO DEL BRUCIATORE | BURNER RELEASE BUTTON |

