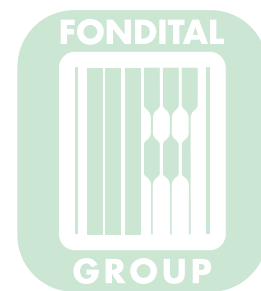


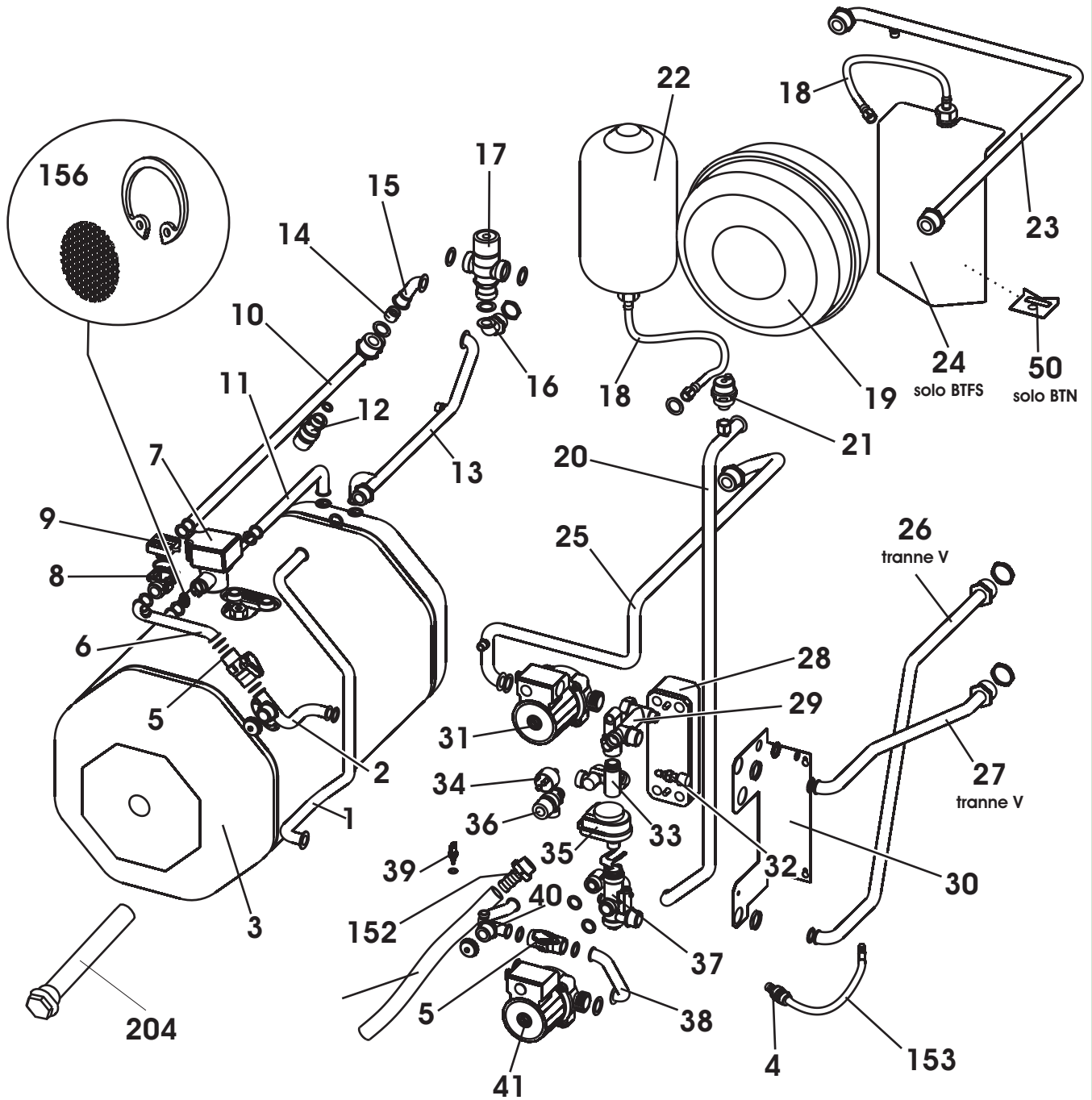
ESPLOSO E LISTA RICAMBI

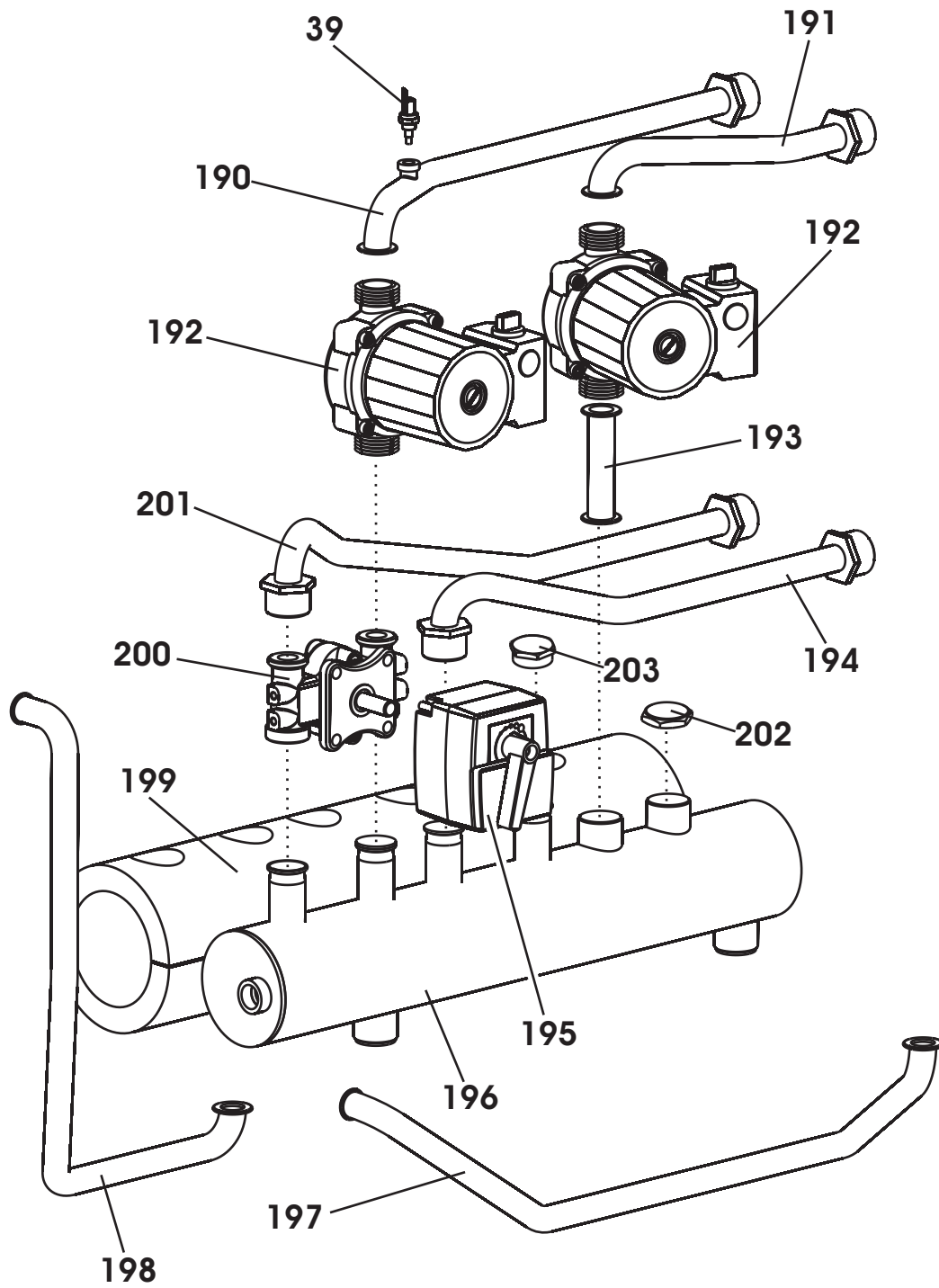


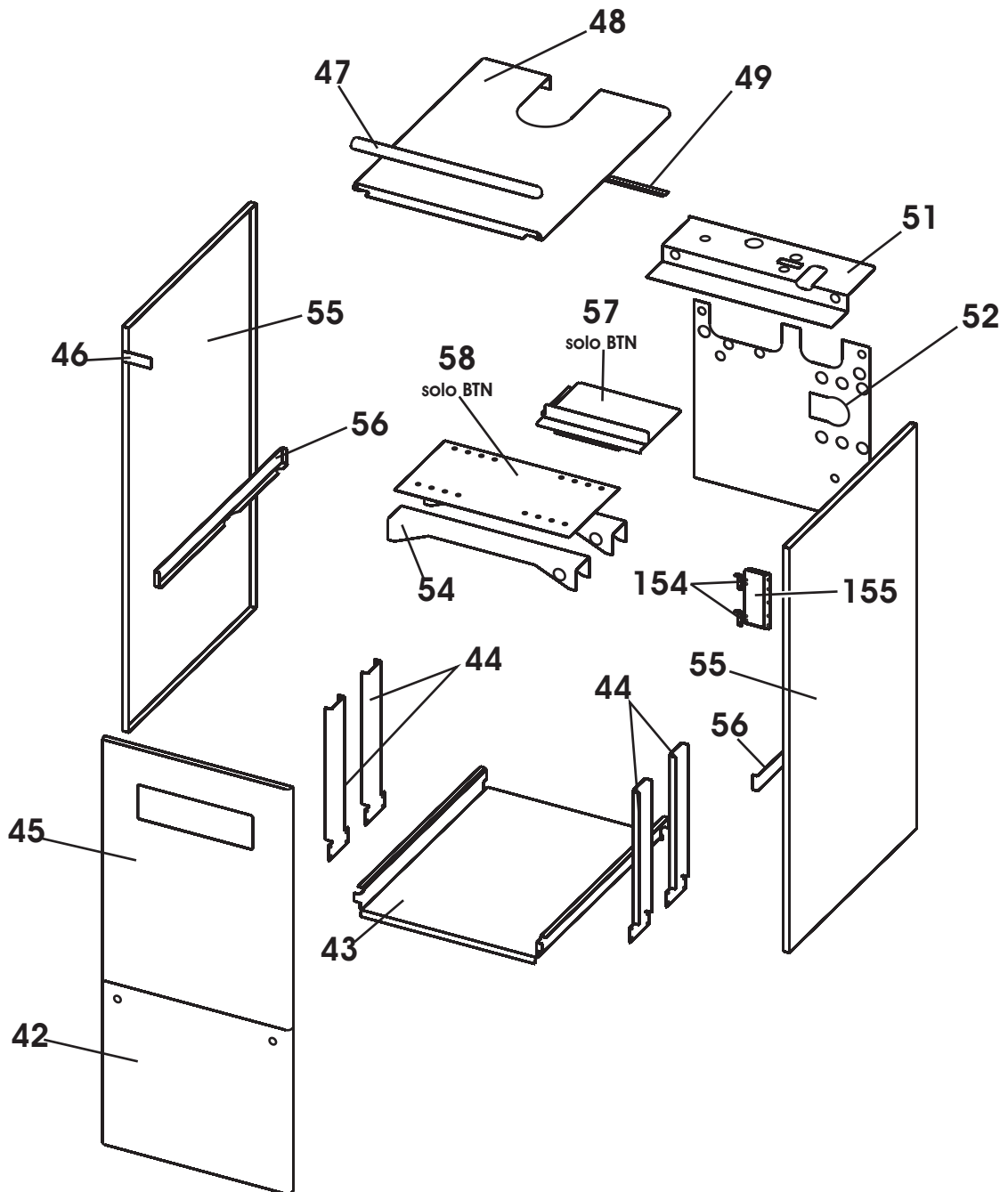
Bali BTN
Bali BTFS

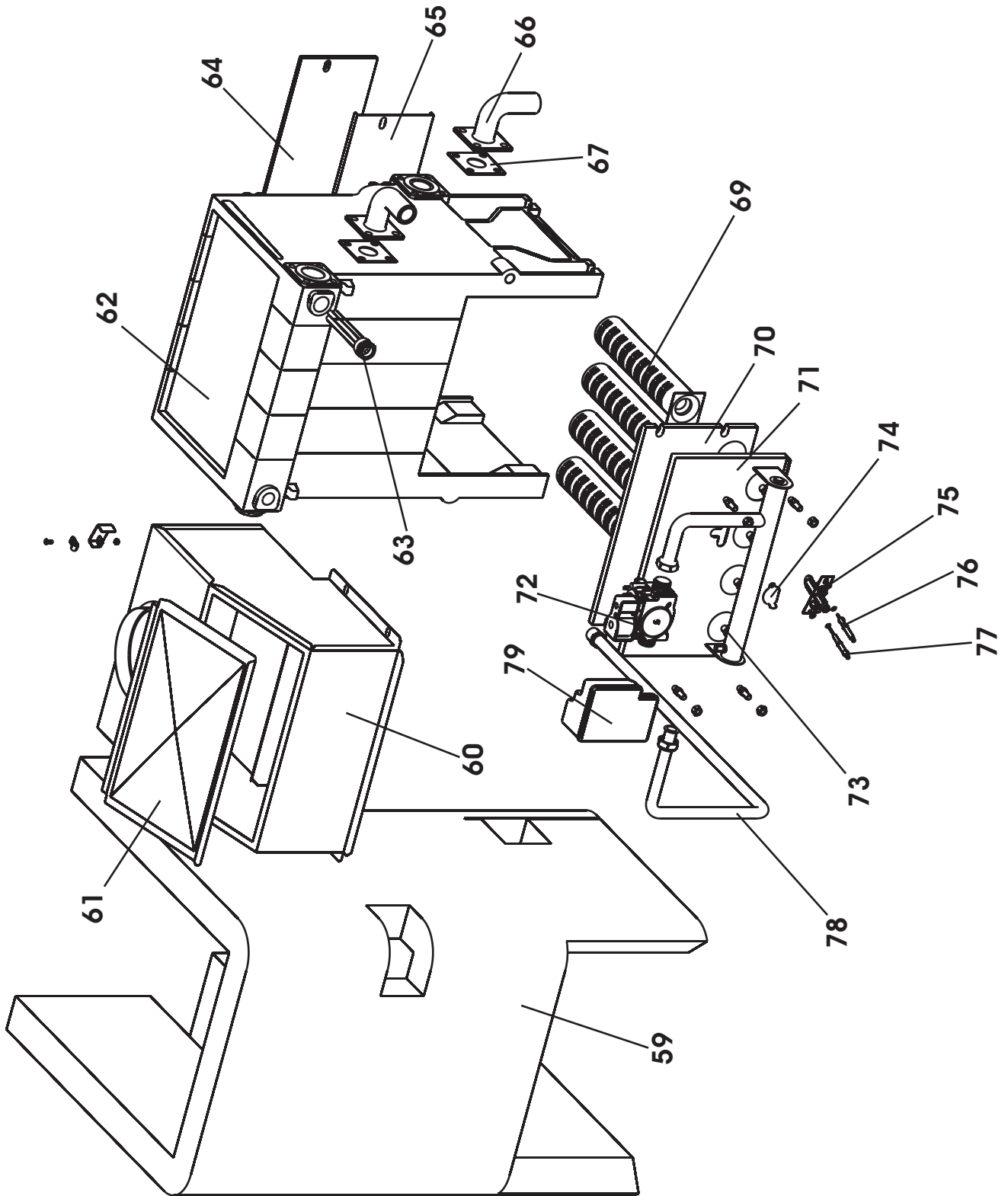
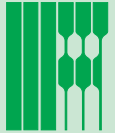


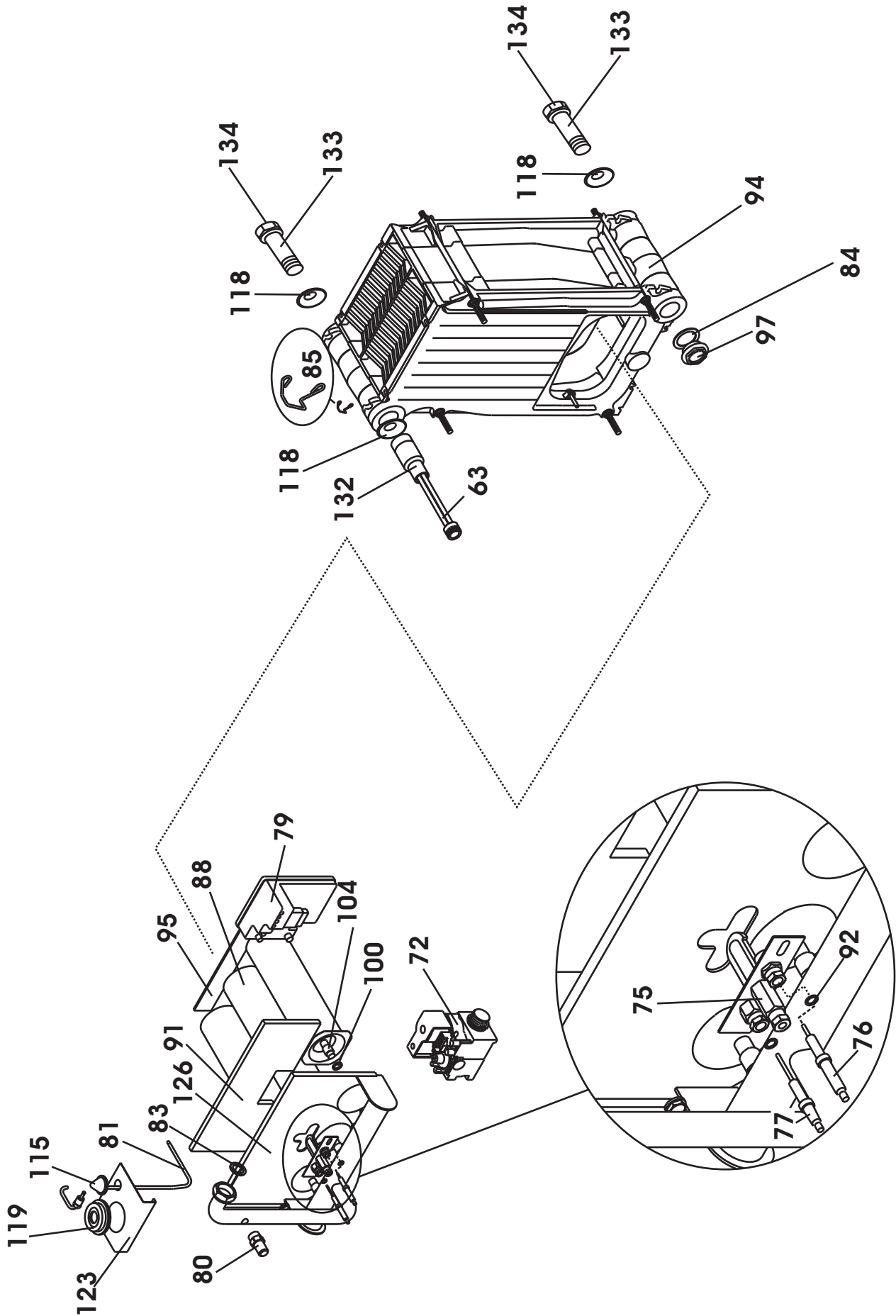
Altair BTN
Altair BTFS

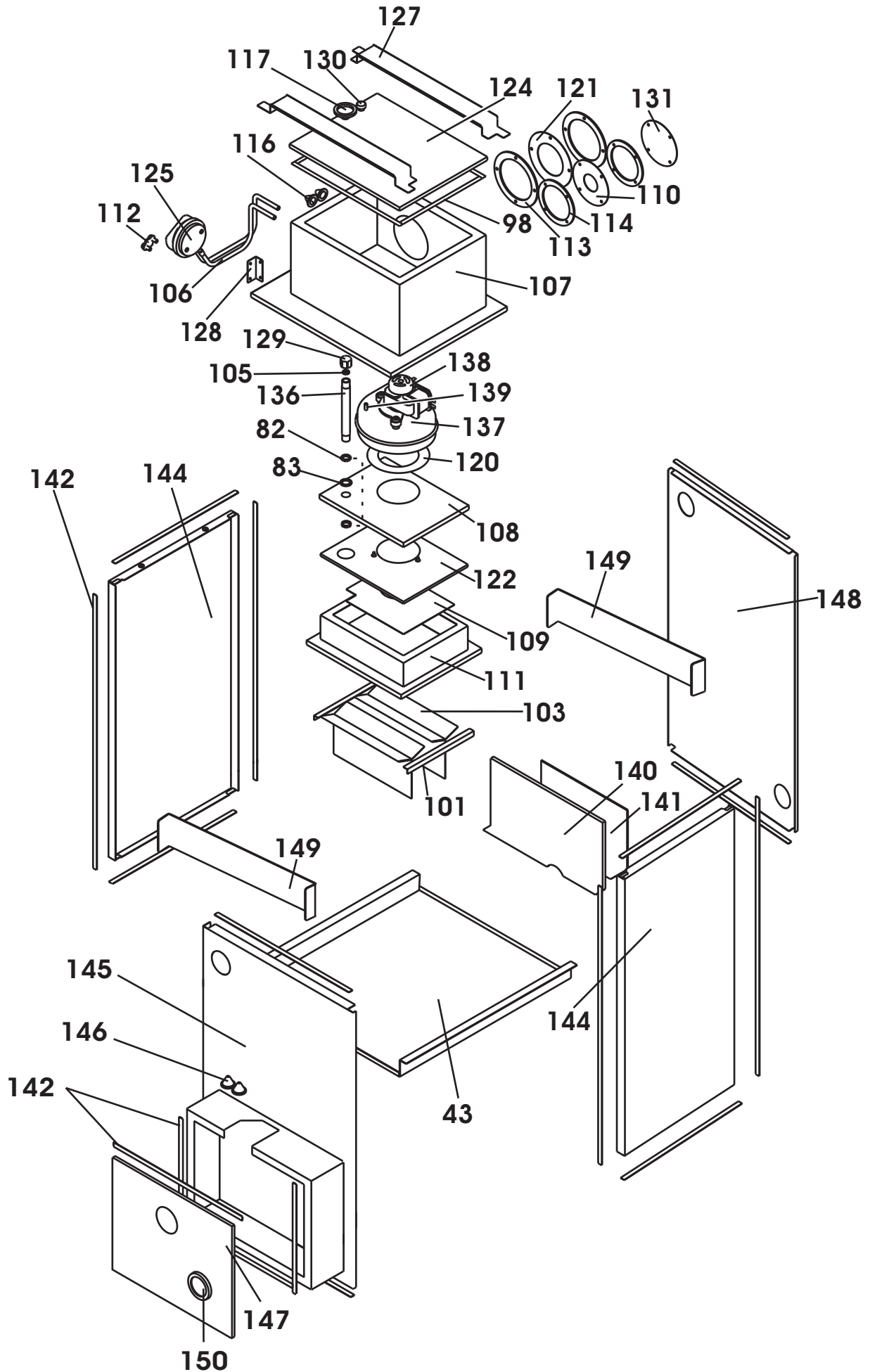


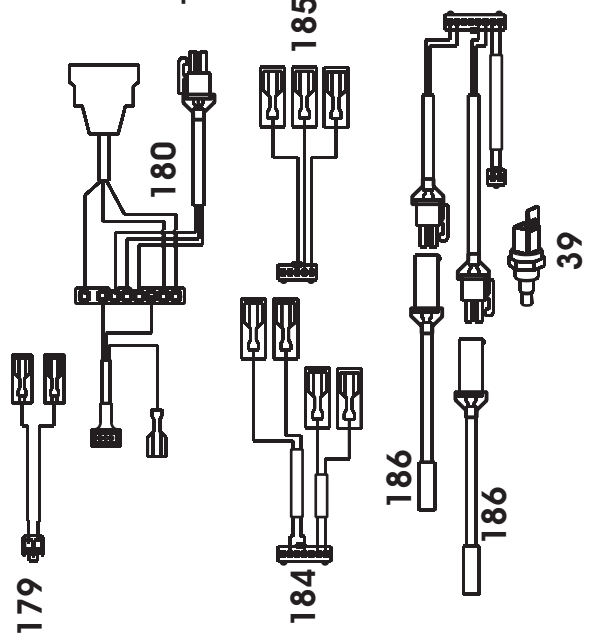
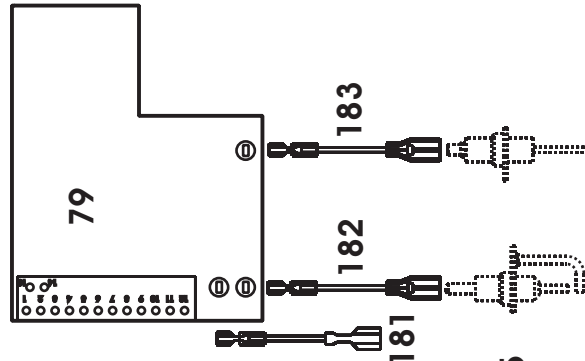
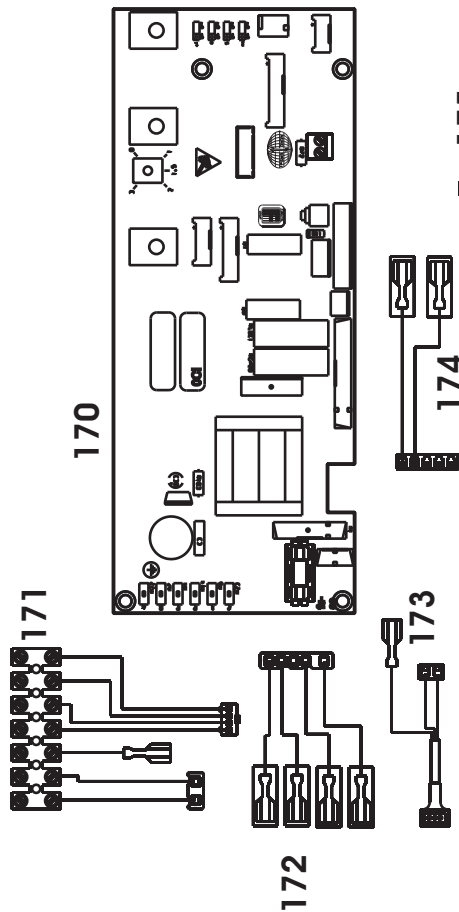
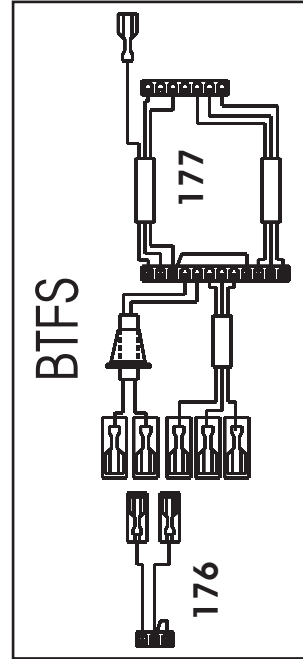
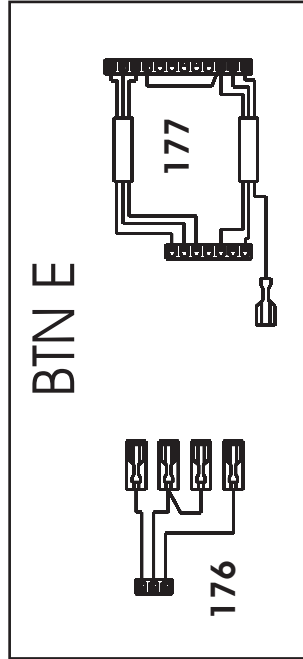
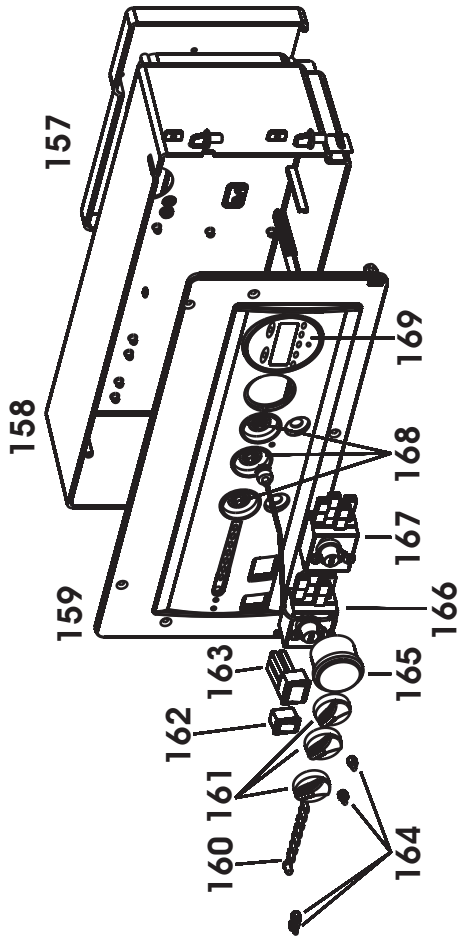


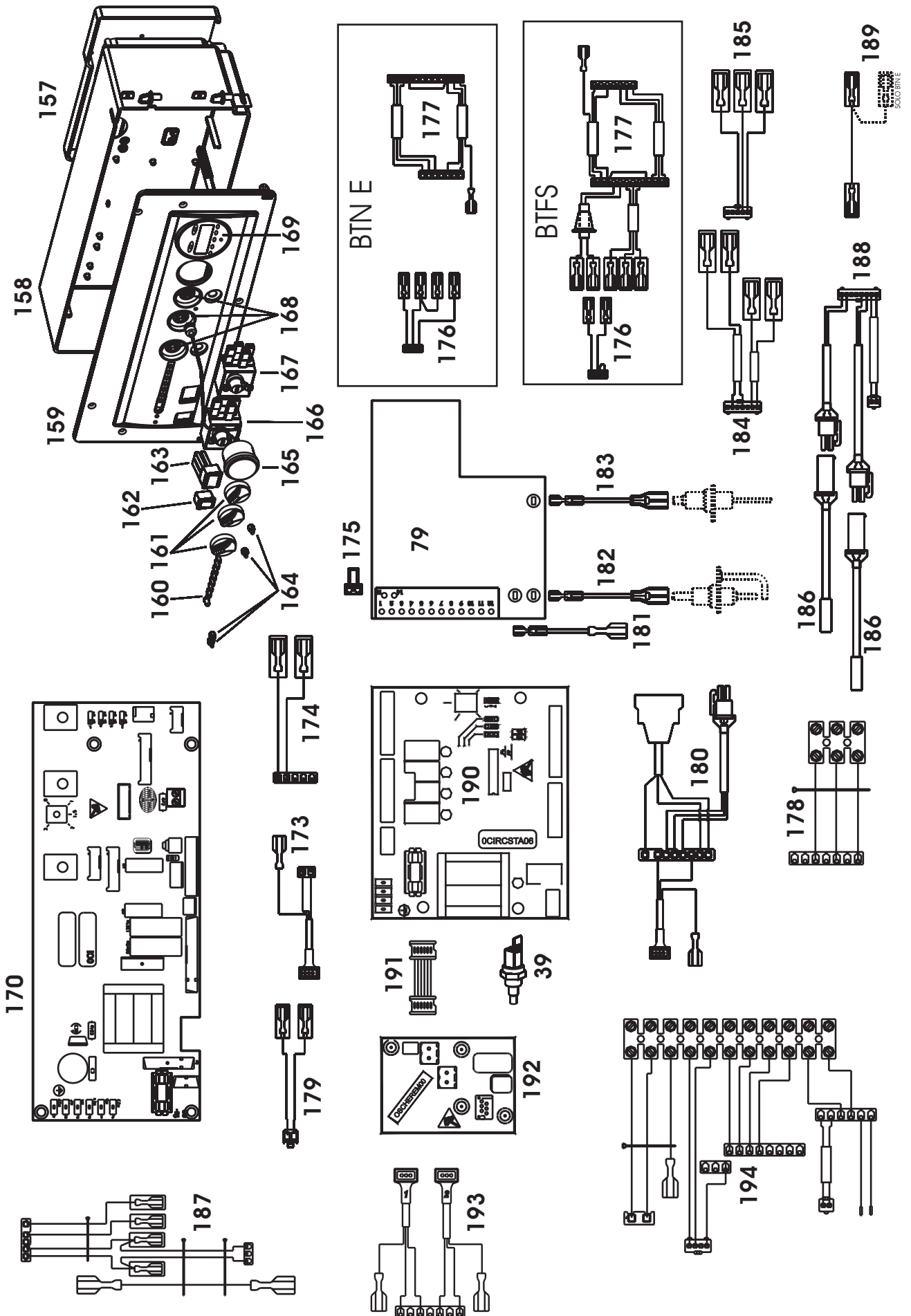












Riferimenti esploso Bali-Altair B

Esp	Codice	Pezzi	Descrizione	Description
1	6TUBACCA03	1	TUBO ACQUA CALDA CIRC.SAN.BASAM. 3/4"	FLOOR STANDING BOILER DHW PUMP FLOW PIPE
2	6TUBACFR02	1	TUBO ACQUA FREDDA IMP.SAN.BASAM. 3/4"	FLOOR STANDING BOILER DHW PUMP WATER MAINS PIPE
3	6BOLLITO08	1	BOLLITORE 60L A STRATIFICAZIONE	LAYER 60 LTS CYLINDER
4	6RUBISCA04	1	RUBINETTO DI SCARICO G1-2 POL	DRAIN COCK 1/2"
5	6RUBINET10	1	RUBINETTO DRITTO 3/4" NOVASFER	NOVASFER 3/4"STRAIGHT TAP
6	6TUBACFR03	1	TUBO ACQUA FREDDA IMP.SAN.BASAM. 1/4"	FLOOR STANDING BOILER WATER MAINS DHW PIPE
7	6VALVINT00	1	VALVOLA INTERCETT.2 VIE ATV-200	ATV-200 TWO-WAY MIXING VALVE
8	6CORFLUS00	1	CORPO PER FLUSSOSTATO ORIZZONT.	HORIZONTAL FLOW SWITCH BODY
9	6FRUFLUS00	1	FRUTTO PER FLUSSOSTATO ORIZZONT.	HORIZONTAL FLOW SWITCH INTERNAL APPARATUS
10	6TUBACFR01	1	TUBO ACQUA FREDDA IMP.SAN.BASAM. DRITTO	FLOOR STANDING BOILER DHW PIPE
11	6CURACFR00	1	CURVA INGR.ACQUA CALDA IM.SA.BA.	FLOOR STANDING BOILER WATER MAINS ELBOW
12	6VALSIBA08	1	VALVOLA SICUREZZA 6BAR ATT.1/2"	1/2" 6 BAR SAFETY VALVE
13	6TUBACCA02	1	TUBO ACQUA CALDA IMP.SANI.BASAM.	FLOOR STANDING BOILER DHW FLOW PIPE
14	6INSVANT01	3	INS.VALV. NON RITORNO	DW20/DN15 NON-RETURN VALVE INSERT
15	6CURACFR01	1	CURVA ACQUA FREDDA IMP.SAN.BASAM	FLOOR STANDING BOILER WATER MAINS ELBOW
16	6TUBACMX00	1	TUBO ACQUA MISC.IMP.SANIT.BASAM.	FLOOR STANDING BOILER DHW MIX PIPE
17	6MISCMIX01	1	MISCELATORE MIX 1"	MIXING DEVICE MIX 1"
18	6TUBFLEX00	1	TUBO FLESSIBILE 3/4" F X 1/4" F	HOSE PIPE 3/4" F X 1/4" F
19	6VASOESP03	1	VASO D'ESPANSIONE BASAMENTO 12L. RISC	12 LITRE EXPANSION TANK FLOOR-STANDING BOILER
	6VASOESP14	1	VASO ESPANSIONE 18 LITRI 531 RISC	18 LTS 531(42KW) EXPANSION VESSEL
20	6TUBUSCS04	1	TUBO USCITA RISCALDAMENTO TFS	BTFS FLOW PIPE
	6TUBUSCS00	1	TUBO USCITA RISCALDAMENTO TN	BTN FLOW PIPE
21	6VALSFAU01	1	VALVOLA SFIATO G3/8	AUTOMATIC RELIEF VALVE
22	6VASOESP04	1	VASO ESPANSIONE SANITARIO 5 L.	5 LITRE EXPANSION TANK FLOOR-STANDING BOILER
23	6TUBUSCS03	1	TUBO USCITA SCAMB.IMP.RISC.BASA	FLOOR STANDING BOILER HEAT EXCHANGER PIPE
24	6STASOBO00	1	STAFFA DI SOSTEGNO BOLL. MOD 03	MODIFIED TANK HEATER CLAMP 03
25	6TUBINGS00	1	TUBO INGRESSO RISCALDAMENTO TN	BTN RETURN PIPE
	6TUBINGS01	1	TUBO INGRESSO RISCALDAMENTO TFS	BTFS RETURN PIPE
26	6TUBMAIM07	1	TUBO MAND.IMP.RISCALD.X BASAMEN.	FLOOR STANDING BOILER CH FLOW PIPE
27	6TUBRIIM03	1	TUBO RITORNO IMP.RISCALDAMENTO	CH RETURN PIPE
28	6SCAMPIA03	1	SCAMBIATORE A 24 PIASTRE	24 PLATE HEAT EXCHANGER
	6SCAMPIA04	1	SCAMBIATORE A 28 PIASTRE	28 PLATE HEAT EXCHANGER (BTFS 32-36 AND BTN 42
29	6RACPOMP02	1	CORPO RACCOR.POMPA CIRC.RIS.18MM	18MM CH PUMP COUPLING BODY
30	6STAFISS24	1	STAFFA DI FISSAGGIO PARTE IDRAUL	HYDRAULIC FIXING BRACKET
31	6CIRCOLA08	1	CIRCOLATORE BALI-ALTAIR B FINO A 24 E 25 Kw	CIRCULATING PUMP BALI-ALTAIR B FINO A 24 E 25 Kw

31	6CIRCOLA11	1	CIRCOLATORE BALI-ALTAIR B DA 32 A 42 Kw	CIRCULATING PUMP BALI-ALTAIR B DA 32 A 42 Kw
32	6RUBICAR04	1	RUBINETTO DI CARICO DUAL	KRAMER L=50 FILLING TAP
33	6RACSCAM00	1	CORPO RACCORDO X SCAMB.A PIASTRE	PLATE HEAT EXCHANGER BODY CTN
34	6PRESSAC00	1	PRESSOSTATO ACQUA	NO WATER PRESSURE SWITCH
35	6PROATTT00	1	PROGRAM. ATTUATORE 1651/2.0.00	ACTUATOR PROGRAMMER 1651/2.0.00
36	6VALSIBA07	1	VALVOLA DI SICUREZZA 3BAR RAPIDO	3 BAR SNAP-ON SAFETY VALVE
37	6CORPVAL01	1	CORPO VALVOLA A TRE VIE MOTORIZ.	3-WAY MOTORIZED VALVE BODY
38	6TUBUSCS02	1	TUBO USCITA SCAMB.IMP.SAN.BASAM.	FLOOR STANDING BOILER DHW EXCHANGER PIPE
39	6SONDNTC01	3	SONDA NTC AD IMMERSIONE	NTC IMMERSION PROBE 10 KOHM B=3435
40	6TUBUSCS01	1	TUBO USCITA SCAMB.IMP.SAN.BASAMENTO	FLOOR STANDING BOILER DHW EXCHANGER PIPE
41	6CIRCOLA09	1	CIRCOLATORE ZRS 15-2-1 KU	ZRS 15-2-1 KU PUMP
42	6PANNELL49	1	PANNELLO ANTERIORE INFERIORE	FRONT LOWER PANEL
43	6BASGRUT03	1	BASAMENTO GT-B	BASE
44	6SOSTTRA01	1	SOST.X TRAVERSA APPOGGIO SCAMB.	HEAT EXCHANGER SUPPORTING BRACKET
45	6PANNELL48	1	PANNELLO ANTERIORE SUPERIORE	FRONT UPPER PANEL
46	6PIAQUEL00	1	PIASTRINA BLOCCAGGIO QUAD.ELETT.	CONTROL PANEL FIXING PLATE
47	6PROFIPL04	1	PROFILO IN PLASTICA 600MM X DUAL	DUAL BOILER L 600 MM PLASTIC PROFILE
48	6COPCALE21	1	COPERCHIO BALI-ALTAIR TFS	BALI-ALTAIR BTFS HOOD
	6COPCALE20	1	COPERCHIO BALI-ALTAIR TN	BALI-ALTAIR BTN HOOD
49	6TRAVERS00	1	TRAVERSA DI RINFORZO MANT.CALD.	BOILER SHELL CROSS ELEMENT
50	6STABLVE00	1	STAFFA BLOCCAGGIO VASO ESPANSIO	EXPANSION VESSEL FIXING BRACKET
51	6PIANALE00	1	PIANALE POSTERIORE CALDAIA	BOILER REAR PLATE
52	6SCHPOST03	1	SCHIENALE POSTERIORE CALDAIA	BOILER BACK PLATE
54	6TRAVAPS02	1	TRAVERSA DI APPOGGIO SCAMBIATORE	HEAT EXCHANGER SUPPORTING PLATE
55	6PANNELL50	1	PANNELLO LATERALE REVERSIBILE	LEFT / RIGHT SIDE PANEL
56	6STAFUNI00	1	STAFFA PORTA PANNELLO LATERALE	SIDE PANEL CLAMP
57	6DEFLETT02	1	DEFLETTORE CALD.4 ELEMENTI - TN	4 ELEMENT - BTN BOILER DEFLECTING PLATE
	6DEFLETT03	1	DEFLETTORE CALD.5 ELEMENTI - TN	5 ELEMENT - BTN BOILER DEFLECTING PLATE
	6DEFLETT04	1	DEFLETTORE CALD.6 ELEMENTI - TN	6 ELEMENT - BTN BOILER DEFLECTING PLATE
58	6PIANALE01	1	PIANALE ANTERIORE CALDAIA - TN	BTN BOILER FRONT PLATE
59	6ISOLAME13	1	ISOLAM. TERMICO BALI-ALTAIR TN 4 ELEM.	4 ELEMENT BTN BALI-ALTAIR INSULATION LAYER
	6ISOLAME14	1	ISOLAM. TERMICO BALI-ALTAIR TN 5 ELEM.	5 ELEMENT BTN BALI-ALTAIR INSULATION LAYER
	6ISOLAME15	1	ISOLAM. TERMICO BALI-ALTAIR TN 6 ELEM.	6 ELEMENT BTN BALI-ALTAIR INSULATION LAYER
60	6CAPFUBA00	1	CAPPA FUMI CALDAIA BASAM.4 ELEM.	4 ELEMENT FLOOR STANDING BOILER FLUE HOOD
	6CAPFUBA01	1	CAPPA FUMI CALDAIA BASAM.5 ELEM.	5 ELEMENT FLOOR STANDING BOILER FLUE HOOD
	6CAPFUBA02	1	CAPPA FUMI CALDAIA BASAM.6 ELEM.	6 ELEMENT FLOOR STANDING BOILER FLUE HOOD
61	6COPCAFU00	1	COPERC.X CAPPA FUMI BASAM. 4 ELEM.	4 ELEMENT FLOOR STANDING BOILER FLUE HOOD PANEL

61	6COPCAFU01	1	COPERC.X CAPP FUMI BASAM. 5 ELEM.	5 ELEMENT FLOOR STANDING BOILER FLUE HOOD
61	6COPCAFU02	1	COPERC.X CAPP FUMI BASAM. 6 ELEM.	6 ELEMENT FLOOR STANDING BOILER FLUE HOOD
62	6SCAMBIA06	1	CORPO SCAMBIATORE 4 ELEMENTI GAS	4 ELEMENT GAS HEAT EXCHANGER
	6SCAMBIA07	1	CORPO SCAMBIATORE 5 ELEMENTI GAS	5 ELEMENT GAS HEAT EXCHANGER
	6SCAMBIA08	1	CORPO SCAMBIATORE 8 ELEMENTI GAS	6 ELEMENT GAS HEAT EXCHANGER
63	6PORTBUT01	1	PORTA BULBI G 3/4" X 220 M	BULB HOLDER 3/4" X 220M
64	6GUAPOCH00	1	GUAR.PIASTRA CHIUSURA SCAMB.4 EL	4 ELEMENT HEAT EXCHANGER PLATE SEAL
	6GUAPOCH01	1	GUAR.PIASTRA CHIUSURA SCAMB.5 EL	5 ELEMENT HEAT EXCHANGER PLATE SEAL
	6GUAPOCH02	1	GUAR.PIASTRA CHIUSURA SCAMB.6 EL	6 ELEMENT HEAT EXCHANGER PLATE SEAL
65	6PIAPOCH00	1	PIASTRA POST.CHIUSURA SCAMB.4 EL	4 ELEMENT HEAT EXCHANGER REAR PLATE
	6PIAPOCH01	1	PIASTRA POST.CHIUSURA SCAMB.5 EL	5 ELEMENT HEAT EXCHANGER REAR PLATE
	6PIAPOCH02	1	PIASTRA POST.CHIUSURA SCAMB.6 EL	6 ELEMENT HEAT EXCHANGER REAR PLATE
66	6CURVCOL01	1	CURVA COLLEG.CALDAIA 4 ELEMENTI	4 ELEMENT BOILER CONNECTING ELBOW
	6CURVCOL02	1	CURVA COLLEG.CALDAIA 5 ELEMENTI	5 ELEMENT BOILER CONNECTING ELBOW
	6CURVCOL03	1	CURVA COLLEG.CALDAIA 6 ELEMENTI	6 ELEMENT BOILER CONNECTING ELBOW
67	6GUARNIZ29	5	GUARN.X CURVA SCAMBIATORE	HEAT EXCHANGER ELBOW SEAL
69	6BRUCIAT00	1	BRUCIATORE GAS X BALI-ALTAIR BTN	BTN BALI-ALTAIR GAS BURNER
70	6GUAPIBR05	1	GUARNIZIONE PIASTRA BRUC.4 ELEM.	4 ELEMENT BURNER PLATE SEAL
	6GUAPIBR06	1	GUARNIZIONE PIASTRA BRUC.5 ELEM.	5 ELEMENT BURNER PLATE SEAL
	6GUAPIBR07	1	GUARNIZIONE PIASTRA BRUC.6 ELEM.	6 ELEMENT BURNER PLATE SEAL
71	6PIASBRU03	1	PIASTRA BRUCIAT.BALI-ALTAIR BTN 4 ELEM.	4 ELEMENT BTN BALI-ALTAIR BURNER PLATE
	6PIASBRU05	1	PIASTRA BRUCIAT.BALI-ALTAIR BTN 6 ELEM.	6 ELEMENT BTN BALI-ALTAIR BURNER PLATE
	6PIASBRU04	1	PIASTRA BRUCIAT.BALI-ALTAIR BTN 5 ELEM.	5 ELEMENT BTN BALI-ALTAIR BURNER PLATE
72	6WVALELE00	1	VALV.GAS BALI-ALTAIR TFS-TN E-TN PVE	GAS VALVE FOR TFS - TN E - TN PVE
73	6WUGELLO00	3	UGELLO X BALI-ALTAIR D.2,50	NOZZLE FOR BALI-ALTAIR D.2,50
74	6WPORTIN00	1	PORTINA RAMP A BRUCIAT.BALI-ALTAIR TFS	BURNER RAMP DOOR FOR TFS
75	6WPILOTA00	3	PILOTA ACC.ELETTR. A MET.	ELECTRONIC METHANE IGNITION PILOT
76	6WCANACC00	3	CANDELA DI ACCENSIONE	IGNITER PLUG
77	6WELRILE00	3	ELETTRODO DI RILEVAZIONE	FLAME DETECTION ELECTRODE
78	6TUBOGAS04	1	TUBO GAS X CALDAIA A BASAMENTO	FLOOR STANDING BOILER GAS PIPE
79	6WSCEACC00	1	SCHEDA DI ACCENSIONE TN	IGNITION BOARD FOR TN
	6WSCEACC01	1	SCHEDA DI ACCENSIONE TFS	IGNITION BOARD FOR TFS
80	6Y41279600	3	PRESA DI PRESSIONE G1/8	GAS PRESSURE TUBE
81	6Y41441000	1	TUBO ALLUMINIO 2,5 X 4	PILOT ALUMINIUM PIPE
82	6GHIEROT03	3	GHIERA 3/8"	3-8" RING NUT
83	6GUARNIZ05	10	GUARNIZIONE 24X17	GASKET 24X17
84	6GUARNIZ10	5	GUARNIZIONE 56X41SP 2MM	GASKET 56X41X2

85	6MOLBLCA00	5	MOLLA BLOCCA CAPILLARE	CAPILLARY LOCK SPRING
88	6WBRUCIA00	1	RAMPA BRUCIATORE BALI 18-24	BURNER RAMP FOR BALI-ALTAIR 18-24
88	6WBRUCIA01	1	RAMPA BRUCIATORE BALI 32-36	BURNER RAMP FOR BALI-ALTAIR 32-36
91	6WGUARIS00	1	GUARNIZIONE ISOLANTE RAMPA A GAS	GAS RAMP INSULATION GASKET
92	6WGUARPR00	5	GUARNIZIONE PROT.CANDELA	SPARK PLUG PROTECTION GASKET
94	6WSCGHIS00	1	CORPO IN GHISA PER BALI-ALTAIR 18-24	CAST IRON BODY FOR 18-24
	6WSCGHIS01	1	CORPO IN GHISA PER BALI-ALTAIR 32-36	CAST IRON BODY FOR 32-36
95	6WSTAFIS02	1	STAFFA BLOCCAGGIO BRUCIAT.BALI-ALTAIR	BURNER LOCKING CLAMP FOR
97	6TAPCECO00	3	TAPPO 1-1/4" M	PLUG 1-1/4" M
98	6WGOMADE00	1	GOMMA ADESIVA IN NEOPRENE 1METRO	ADHESIVE NEOPRENE RUBBER
100	6WRONDAL00	10	RONDELLA IN ALLUMINIO	ALUMINIUM WASHER FOR NOZZLE
101	6WTELPRS06	1	TELAIO STUCCO BALI-ALTAIR TFS 18-24	FILLER FRAME FOR TFS 18-24
	6WTELPRS07	1	TELAIO STUCCO BALI-ALTAIR TFS 32-36	FILLER FRAME FOR TFS 32-36
103	6WTURBUL01	1	TURBOLATORE BALI-ALTAIR TN 32-36	FLUE TURBULENCE ENHANCER FOR TN 32-36
104	6WUGELLO01	3	UGELLO X BALI-ALTAIR D.2,40	NOZZLE FOR BALI-ALTAIR D.2,40
	6WUGELLO03	3	UGELLO X BALI-ALTAIR D.2,90	NOZZLE FOR BALI-ALTAIR D.2,90
	6WUGELLO11	3	UGELLO X BALI-ALTAIR D.1,50	NOZZLE FOR BALI-ALTAIR D.1,50
	6WUGELLO12	3	UGELLO X BALI-ALTAIR D.1,70	NOZZLE FOR BALI-ALTAIR D.1,70
	6WUGELLO13	3	UGELLO X BALI-ALTAIR D.1,80	NOZZLE FOR BALI-ALTAIR D.1,80
	6WUGELLO16	3	UGELLO X BALI-ALTAIR D.1,25	NOZZLE FOR BALI-ALTAIR D.1,25
105	6WUGELLO20	3	UGELLO X BALI-ALTAIR D.2,10	NOZZLE FOR BALI-ALTAIR D.2,10
105	6GUARNIZ03	10	GUARNIZIONE 14X8	GASKET 14X8
106	6YTUBCON02	3mt	TUBO SILICONE GAZELLE 4/8	SILICONE PIPE: INSIDE Ø 4 MM, OUTSIDE Ø 8 MM
107	6WCAPCAS01	1	CAPPELLO CASSONE BALI-ALTAIR TFS 32-36	BOX COVER FOR BALI-ALTAIR TFS 32-36
	6WCAPCAS02	1	CAPPELLO CASSONE BALI-ALTAIR TFS 18-24	BOX COVER FOR BALI-ALTAIR TFS 18-24
108	6WCHIESF00	1	CHIUS.ESTRAT.FUMI BALI-ALTAIR TFS18-24	FLUE GAS EXTRACTOR CLOSING FOR TFS 18-24
	6WCHIESF01	1	CHIUS.ESTRAT.FUMI BALI-ALTAIR TFS32-36	FLUE GAS EXTRACTOR CLOSING FOR TFS 32-36
109	6WCONFUM00	1	CONVOGLIAT.FUMI BALI-ALTAIR TFS 18-24	FLUG GAS DUCT FOR TFS 18-24
	6WCONFUM01	1	CONVOGLIAT. FUMI BALI-ALTAIR TFS 32-36	FLUE GAS DUCT FOR TFS 32-36
110	6WDIAFRG00	3	DIAFR. D40 BALI-ALTAIR TFS 18-24	DIAPHRAGM D40MM FOR TFS 18-24
	6WDIAFRG01	3	DIAFR.D42 BALI-ALTAIR TFS 32-36	DIAPHRAGM D42MM FOR TFS 32-36
111	6WESTRFU00	1	ESTRATTORE FUMI BALI-ALTAIR TFS 18-24	FLUE GAS DUCT FOR TFS 18-24
	6WESTRFU01	1	ESTRATTORE FUMI BALI-ALTAIR TFS 32-36	FLUE GAS DUCT FOR TFS 32-36
112	6WFASCET00	3	FASCETTA FISS.CAVO PRESS.	PRESSURE CABLE CLIP
113	6WGRINAR00	3	GUARN.INGR. ARIA BALI-ALTAIR TFS	AIR INLET PIPE GASKET FOR TFS
114	6WGRINAR01	3	GUARNIZIONE PER BALI-ALTAIR TFS	GASKET FOR TFS
115	6WGUASIL00	5	GUARNIZIONE D16X2 SIL.	SILICONE GASKET, D16 X 2

116	6WGUASIL01	5	GUARNIZIONE D16X4 SIL.	SILICONE GASKET, D16 X 4
117	6WGUASIL02	1	GUARNIZIONE D38X14 SILICONE	SILICONE GASKET, D38 X 14
118	6WGUASIL03	5	GUARNIZIONE D52X24 SIL	SILICONE GASKET, D52 X 24
119	6WGUASIL04	5	GUARNIZIONE D44X15 SIL.	SILICONE GASKET, D44 X 15
120	6WGUAVEN00	1	GUARNIZ. PER CF BALI-ALTAIR TFS 18-24	FAN GASKET FOR TFS 18-24
	6WGUAVEN01	1	GUARNIZIONE X CF BALI-ALTAIR TFS 32-36	FAN GASKET FOR TFS 32-36
121	6WDIAFRG02	3	DIAFR. D75 BALI-ALTAIR TFS 18-24	DIAPHRAGM D75MM FOR TFS 18-24
	6WDIAFRG03	3	DIAFR. D78 BALI-ALTAIR TFS 32-36	DIAPHRAGM D78MM FOR TFS 32-36
122	6WISOCOF00	1	ISOL.CONV.FUMI BALI-ALTAIR TFS 18-24	FLUE GAS DUCT INSULATION FOR TFS 18-24
	6WISOCOF01	1	ISOL.CONV.FUMI BALI-ALTAIR TFS 32-36	FLUE GAS DUCT INSULATION FOR TFS 32-36
123	6WLTUGAS00	1	LAMIERA PASS.TUBO GAS BALI-ALTAIR TFS	GAS PIPE CLEARANCE SHEET FOR TFS
124	6WPORTES00	1	PORTINA ESTRAZ. VENT.BALI-ALTAIR TFS	FAN EXTRACTION DOOR FOR TFS
125	6WPREARI00	1	PRESS. ARIA BALI-ALTAIR TFS 18-24	AIR PRESSURE SWITCH FOR TFS 18-24
	6WPREARI01	1	PRESS. ARIA BALI-ALTAIR TFS 32-36	AIR PRESSURE SWITCH FOR TFS 32-36
126	6WRAMGAS02	1	PORTA BRUCIATORI BALI-ALTAIR TFS	BURNER HOLDER FOR TFS
127	6WSTAPLA00	1	STAFFA FISS.PANN.LATER.BALI-ALTAIR TFS	SIDE PANEL CLAMP FOR TFS
128	6WSTPRES00	1	STAFFA SUPPORTO PRESS.BALI-ALTAIR TFS	PRESSURE SWITCH SUPPORT CLAMP FOR TFS
129	6WTAPFUM00	3	TAPPO 3/8" F	FEMALE PLUG 3/8"
130	6WTAPFUM01	5	TAPPO ILGA BALI-ALTAIR TFS	ILGA PLUG FOR TFS
131	6WTAPINA00	3	TAPPO INGR.ARIA BALI-ALTAIR TFS	AIR INLET PLUG FOR TFS
132	6WTRGUNA00	1	TRONCHETTO GUAINA BALI-ALTAIR	SHEATH STUB PIPE FOR TFS
133	6TUMOORB16	1	TRONCHETTO DI RITORNO SUL CORPO	RETURN STUB PIPE TO BOILER BODY
134	6GIRELLO00	3	GIRELLO 1" PER MOOREA	COLLAR 1"
136	6WTUPRFU00	1	TUBO PRELIEVO FUMI BALI-ALTAIR TFS	FLUE GAS INTAKE PIPE FOR TFS
137	6WVENFUM00	1	VENTILATORE FUMI BALI-ALTAIR TFS 18-24	FLUE GAS FAN FOR TFS 18-24
	6WVENFUM01	1	VENTILATORE FUMI BALI-ALTAIR TFS 32-36	FLUE GAS FAN FOR TFS 32-36
138	6WPREPRB00	3	PRESA DI PRESS. CALD.BALI-ALTAIR	PRESSURE TUBE FOR
139	6WVENBAL00	1	VENTURI PER VENTILATORE BALI-ALTAIR	VENTURI FAN TUBE FOR
140	6WPANNIS00	1	PANNELLO ISOLANTE CHIUSURA POST.	REAR CLOSING INSULATION PANEL
141	6WPIASTC00	1	PIASTRA CHIUSURA POSTERIORE BALI-ALTAIR	REAR CLOSING PLATE FOR GAS BOILERS
142	6WGOMADE00	1	GOMMA ADESIVA IN NEOPRENE	ADHESIVE NEOPRENE RUBBER
144	6WCASLAT00	1	LATERALE CASSONE BALI-ALTAIR TFS 18-24	SIDE BOX PANEL FOR BALI-ALTAIR TFS 18-24
	6WCASLAT01	1	LATERALE CASSONE BALI-ALTAIR TFS 32-36	SIDE BOX PANEL FOR BALI-ALTAIR TFS 32-36
145	6WCASSFR00	1	FRONTALE CASSONE BALI-ALTAIR TFS 18-36	FRONT BOX PANEL FOR BALI-ALTAIR TFS 18-36
146	6WGUASIL00	5	GUARNIZIONE D16X2 SIL.	SILICONE GASKET, D16 X 2
147	6WPORTRA00	1	PORTINA ESTR.RAMPA GAS BALI-ALTAIR TFS	GAS RAMP EXTRACTION DOOR FOR TFS
148	6WSCHCAS00	1	SCHIENALE CASSONE BALI-ALTAIR TFS	BOX REAR PANEL FOR TFS

149	6WSTBLCR00	1	STAFFA BLOCC. CORPO BALI-ALTAIR TFS	BODY LOCKING CLAMP FOR TFS
150	6WVETISP00	5	GUARN.SIL.+VETRINO D49MM	SILICONE GASKET WITH GLASS D49MM
151	6TUBOSIL02	1	TUBO IN SILICONE D.20XD.15X250	SILICONE PIPE D.20 X D.15 X 250
152	6PORTAGO00	1	PORTAGOMMA G 1/2" MASCHIO	HOSE HOLDER G 1/2" MALE
153	6TUBFLEX07	1	TUBO FLESSIBILE F1/2" X M3/8" L=250.	FLEXIBLE PIPE F1/2" X M3/8" L=250
154	6CERQUEL03	3	CERNIERA PER QUADRO ELETTRICO	CONTROL PANEL HINGE
155	6PIAQUEL01	1	PIASTRINA BLOCCAGGIO QUADRO ELETTRICO	CONTROL PANEL BLOCKING PLATE
156	6FILFLUS00	5	FILTRO PER FLUSSOSTATO	FLOWMETER FILTER
190	6TUBMAIM08	1	TUBO MAND.IMP. BASSA TEMPERATURA	FLOOR STANDING BOILER CH FLOW PIPE (HIGH TEMPERATURE)
191	6TUBMAIM10	1	TUBO MAND.IMP. ALTA TEMPERATURA	FLOOR STANDING BOILER CH FLOW PIPE (LOW TEMPERATURE)
192	6CIRCOLA11	1	CIRCOLATORE ZONA ALTA TEMPERATURA	HIGH TEMPERATURE ZONE CIRCULATING PUMP
193	6TRODIST00	1	TRONCHETTO PER POMPE DI ZONA	ZONE PUMP STUB PIPE
194	6TUBRIIM06	1	TUBO RITORNO IMP. BASSA TEMPERATURA	CH RETURN PIPE (LOW TEMPERATURE)
144	6MOTVALM00	1	MOTORE ELETTRICO MODULANTE	ELECTRIC MODULATION MOTOR
196	6TUBOBOT00	1	BOTTIGLIA DI MISCELAZIONE	MIXING BOTTLE
197	6TUBMABO01	1	TUBO MAND.IMP.RISCALD.X BASAMEN. (VERS. V)	FLOOR STANDING BOILER CH FLOW PIPE (VERS. V)
198	6TUBRIBO00	1	TUBO RITORNO IMP.RISCALDAMENTO (VERS. V)	CH RETURN PIPE (VERS. V)
199	6ISOBOMI00	1	ISOLAMENTO PER BOTTIGLIA DI MISCELAZIONE	INSULATION FOR MIXING BOTTLE
200	6VALVMIS02	1	VALVOLA MISCELATRICE A 3 VIE vers V	3-WAY MIXING VALVE vers V
201	6TUBRIIM04	1	TUBO RITORNO IMP. ALTA TEMPERATURA	CH RETURN PIPE (HIGH TEMPERATURE)
202	6TAPPOGF01	3	TAPPO 1" F	PLUG 1" F
203	6TAPPOGF02	3	TAPPO 1" M	PLUG 1" M
204	6ANODMGN02	1	ANODO DI MAGNESIO + GUARNIZIONE GRAFITE	SACRIFICIAL ANOD (MAGNESIUM)+GRAPHITE GASTEK

QUADRO ELETTRICO

157	6COPELPP00	1	COPERCHIO PANNELLO PORTASTRUMENTI	CONTROL PANEL COVER
158	6SCAELPP01	1	SCATOLA PANNELLO PORTASTRUMENTI	CONTROL PANEL BOX
159	6PANPOST00	1	PANNELLO PORTASTRUMENTI	CONTROL PANEL
160	6GUIPPCM01	1	GUIDALUCE MULTIPLIO PANNELLO PORTASTRUMENTI	SINGLE CONTROL PANEL LIGHT CARRIER
161	6MANOADA00	5	MANOPOLA PER ADATTATORE	ADAPTOR KNOB
162	6WPULSBL00	3	PULS.DI SBLOCCO DEL BRUC.	BURNER RELEASE BUTTON
163	6INTERRU01	3	INTERRUT.GENERALE LUMINOSO	ILLUMINATED MASTER SWITCH
164	6GUIPPCM02	5	GUIDALUCE SINGOLO PANNELLO PORTASTRUMENTI	MULTIPLE CONTROL PANEL LIGHT CARRIER
165	6MANOMET03	1	MANOMETRO	PRESSURE GAUGE
166	6TERMSIC02	1	TERMOSTATO DI SIC. LSI 110°C	SAFETY THERMOSTAT LS1 110° C
167	6WTERFUM00	1	TERMOSTATO FUMI LS1 90°C	FLUE GAS THERMOSTAT LS1 90°C
168	6ADAELPP00	5	ADATTATORE PER MANOPOLA	KNOB ADAPTER
169	6OROLDIG00	1	OROLOGIO DIGITALE	DIGITAL TIMER
170	6CIRCSTA05	1	SCHEDA ELETTRONICA	PCB
171	6CABBABA12	1	CABLAGGIO 12 COLLEGAMENTO ALIMENTAZIONE SE E TA	WIRING NO. 12 CONNECTION SUPPLY SE AND TA
172	6CABBABA11	1	CABLAGGIO 11 COLLEGAMENTO INTERRUETTORE ALIMENTAZIONE	WIRING NO. 11 CONNECTION SUPPLY SWITCH
173	6CABBABA06	1	CABLAGGIO 06 COLLEGAMENTO POMPA RICIRCOLO	WIRING NO. 06 CONNECTION RECIRCULATE PUMP
174	6CABBABA07	1	CABLAGGIO 07 COLLEGAMENTO ALIMENTAZIONE TIMER	WIRING NO. 07 CONNECTION TIMER SUPPLY
175	6WPONTTS00	3	PONTE TERM.SIC.CONT.FIAMMA	JUMPER FOR FLAME CONTROL THERMOSTAT
176	6CABBABA03	1	CABLAGGIO 03 COLLEGAMENTO TS	WIRING NO. 03 CONNECTION TS
	6CABBABA04	1	CABLAGGIO 04 COLLEGAMENTO TS + TF	WIRING NO. 04 CONNECTION TS + TF
177	6CABBABA01	1	CABLAGGIO 01 COLLEGAMENTO BRUCIATORI BTFS	WIRING NO. 01 CONNECTION BURNES BTFS
	6CABBABA02	1	CABLAGGIO 02 COLLEGAMENTO BRUCIATORI BTN	WIRING NO. 02 CONNECTION BURNES BTN
178	6CABBABA17	1	CABLAGGIO 17 COLLEGAMENTO VALVOLA MOTORIZZATA	WIRING NO. 17 CONNECTION MOTORIZED VALVE
179	6CABBABA05	1	CABLAGGIO 05 COLLEGAMENTO PULSANTE DI SBLOCCO	WIRING NO. 05 RELEASE PUSH-BUTTON
180	6CABBABA00	1	CABLAGGIO 00 VALVOLA A TRE VIE	WIRING NO. 00 3 WAY VALVE
181	6WCOTEAT00	3	COLL.TERRA E A.T.BALI-ALTAIR18-48	EARTHING AND HIGH-VOLTAGE CONN. 18-48
182	6WCOCAAC01	1	COLLEG.CANDELA ACC.BALI-ALTAIR TFS E	IGNITION SPARK PLUG CONNECTION FOR TFS
	6WCOCAAC00	1	COLLEG.CANDELA ACC. BALI-ALTAIR 18-100	IGNITION SPARK PLUG CONNECTION FOR 18-100
183	6WCOCARI01	1	COLLEG.CANDELA RILEV.BALI-ALTAIR TFS E	DETECTION SPARK PLUG CONNECTION FOR TFS
	6WCOCARI00	1	COLLEG.CANDELA RILEV.BALI-ALTAIR 18-100	DETECTION SPARK PLUG CONNECTION FOR 18-100
184	6CABBABA10	1	CABLAGGIO 10 COLLEGAMENTO PRESSOSTATO H20+FLUSSOSTATO	BALI-ALTAIR B CONNECTION H20 PRESSURE-SWITCH + FLOW-METER
185	6CABBABA08	1	CABLAGGIO 08 COLLEGAMENTO USCITA TIMER 2 CANALI	WIRING NO. 08 CONNECTION 2 CANAL TIMER OUTPUT
186	6SONDNTC02	1	SONDA NTC 10KOHM 25°C	NTC PROBE 10K OHM 25°C
187	6CABBABA15	1	CABLAGGIO 15 COLLEGAMENTO ALIMENTAZIONE SCHEDA	WIRING NO. 15 CONNECTION SUPPLY PCB
188	6CABBABA09	1	CABLAGGIO 09 COLLEGAMENTO SONDE	WIRING NO. 09 CONNECTION PROBE

189	6CABBABA14	1	CABLAGGIO 14 COLLEGAMENTO TERRA PER TS	WIRING NO. 14 GROUND CONNECTION TO TS
	6CABBABA13	1	CABLAGGIO 13 COLLEGAMENTO TERRA	WIRING NO. 13 GROUND CONNECTION
190	6CIRCSTA06	1	SCHEDA DI ZONE	ZONE PCB
191	6CABLREM01	1	CABLAGGIO 01 INTERFACCIA CONTROLLO REMOTO	WIRING NO.01 REMOTE CONTROL INTERFACE
192	6SCHEREM00	1	SCHEDA INTERFACCIA CONTROLLO REMOTO	PCB REMOTE CONTROL INTERFACE
193	6CABBABA18	1	CABLAGGIO 18 COLLEGAMENTO POMPE DI ZONE	WIRING NO. 18 CONNECTION ZONE PUMP
194	6CABBABA16	1	CABLAGGIO 16 COLLEGAMENTO ALIM. SONDA ESTERNA	WIRING NO. 16 CONNECTION SUPPLY EXTERNAL PROBE

