



Fonderie Sime S.p.A. - Via Garbo, 27 - 37045 Legnago (VR) - www.sime.it
 Tribunale Verona 13531 - R.E.A. VR 171357 - C.C.P. 19423375 - N° Mecc. VR 014435
 Capitale Sociale Euro 5.521.200 int. versato - Codice Fiscale/Partita IVA n. IT 01275930236

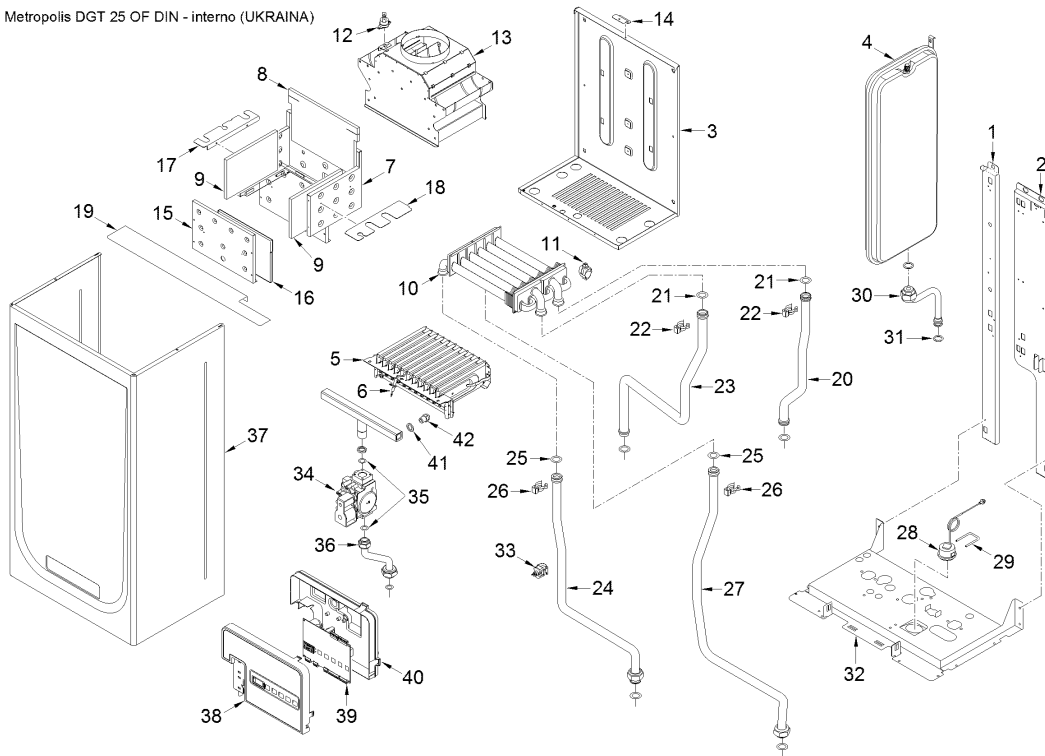
Comfort Ambiente - Via Garbo, 27 - 37045 Legnago (VR)

Tel +39 0442 631111 - Fax Servizio Commerciale: Italia +39 0442 631291 - Estero +39 0442 631293

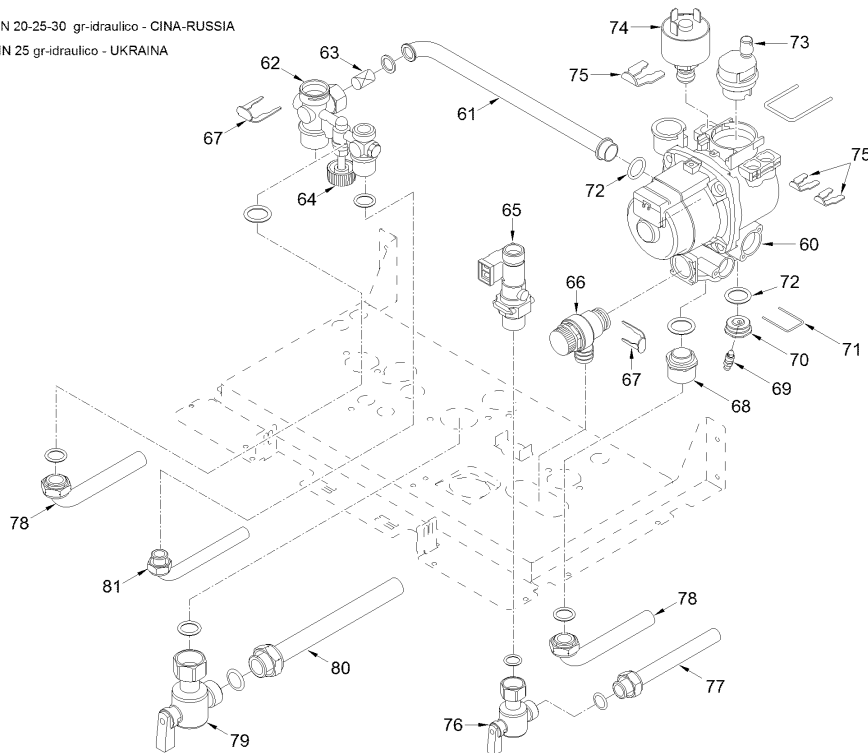
Fax Servizio Tecnico +39 0442 631292 - Fax Ufficio Acquisti +39 0442 631292 - Fax Amministrazione +39 0442 631336

8107836 CALD.MET. METR.DGT 25 OF

Metropolis DGT 25 OF DIN - interno (UKRAINA)



Metropolis DGT BF DIN 20-25-30 gr-idraulico - CINA-RUSSIA
 Metropolis DGT OF DIN 25 gr-idraulico - UKRAINA



Posiz.	Codice	Descrizione
001	6318350	Left hand side frame part
002	6318300	Right hand side frame part
003	6317650	Rear panel
004	5183726	Rectang. expansion vessel 8 l.
005	5198260	Main burner assembly

006	6235932	Ignition-ionisation electrode	
007	6318550	Combustion Chamber front panel	
008	6318721	Combustion chamber rear insulat	
009	6318710	Combustion chamber side insulat	
010	6174260	Gas/Water heat exchanger	
011	6231362	NTC sensor	
012	6146730	Smoke switch	
013	5167590	Smoke chamber assembly	
014	6073350	Smoke chamber mounting bracket	
015	6317950	Combustion chamber front panel	
016	6318701	Combustion chamber side insulat	
017	6276620	Smoke chamber L.H.S. closure	
018	6276520	Smoke chamber R.H.S. closure	
019	6276721	Smoke chamber front closure	
020	6264862	C.H. return pipe	
021	6226412	O-ring 3068	
022	6226601	Spring for heat exchanger conne	
023	6264799	C.H. flow pipe	
024	6227035	D.H.W. outlet pipe	
025	6226444	O-Ring Ø 13,64 x 2,62	
026	6226617	Spring for heat exchanger conne	
027	6227133	Inlet pipe for D.H.W.	
028	6146112	Pressure gauge	
029	6226628	Hydrometer Fixing spring	
030	6130707	Expansion vessel connecting pip	
031	6226450	O-ring Ø 7,59x2,62	
032	6318031	Frame assembly lower side	
033	6231357	D.H.W. temperature sensor	
034	6243833	Gas valve	
035	2030228	Gasket Ø 17x24x2	
036	6195214	Gas inlet pipe	
037	6317831	Casing	
038	6304758	Control panel	
039	6301420	Main P.C.B.	
040	6305050	Control panel cover	
041	6022004	Copper washer Ø 6	
042	6154402	Main burner nozzle NP 130 natur	MET
042A	6154419	Main burner nozzle diam. 0,72 M	GPL
060	6272330	Circulating pump	
061	6277793	Pipe connecting	
062	6265820	Manifold	
063	6270903	By-pass	
064	6013705	Knob	
065	6149318	Flow water switch 1/2"M.-1/2"M.	
066	6040215	Pressure relief valve 3 bar	
067	6226640	Spring clip	
068	6120559	Nipple 3/4"	
069	6119358	Raccord	
070	6119357	Brass cap	
071	6226641	Spring clip	
072	6226472	ORing 17.86x2.62	
073	6013182	Automatic air vent	
074	6037509	Water pressure switch	
075	6226639	Spring clip	
076	6177503	Ball cock 1/2"M x 1/2"F	
077	6142507	Pipe 1/2" x 14 L=135	
078	6142410	Bend 3/4"x18 L=135	
079	6177501	Gas cock 3/4" MF	
080	6142505	Pipe connecting jig 18X3/4X195	
081	6142409	Quarter bend 1/2" x 14 L=135	
700	5202000	Hydraulic group	
701	5202250	Complete control panel	
702	6316255	6 pole Stocko connector CN6	
703	6316253	9 pole Stocko connector	
704	6323864	14 pole cable connector	
705	6245374	Circulating pump connector	
706	6319695	Murelle-Format-.....o-ring kit	
707	6281534	Gaskets kit	
708	5144722	L.P.G. conversion kit	