



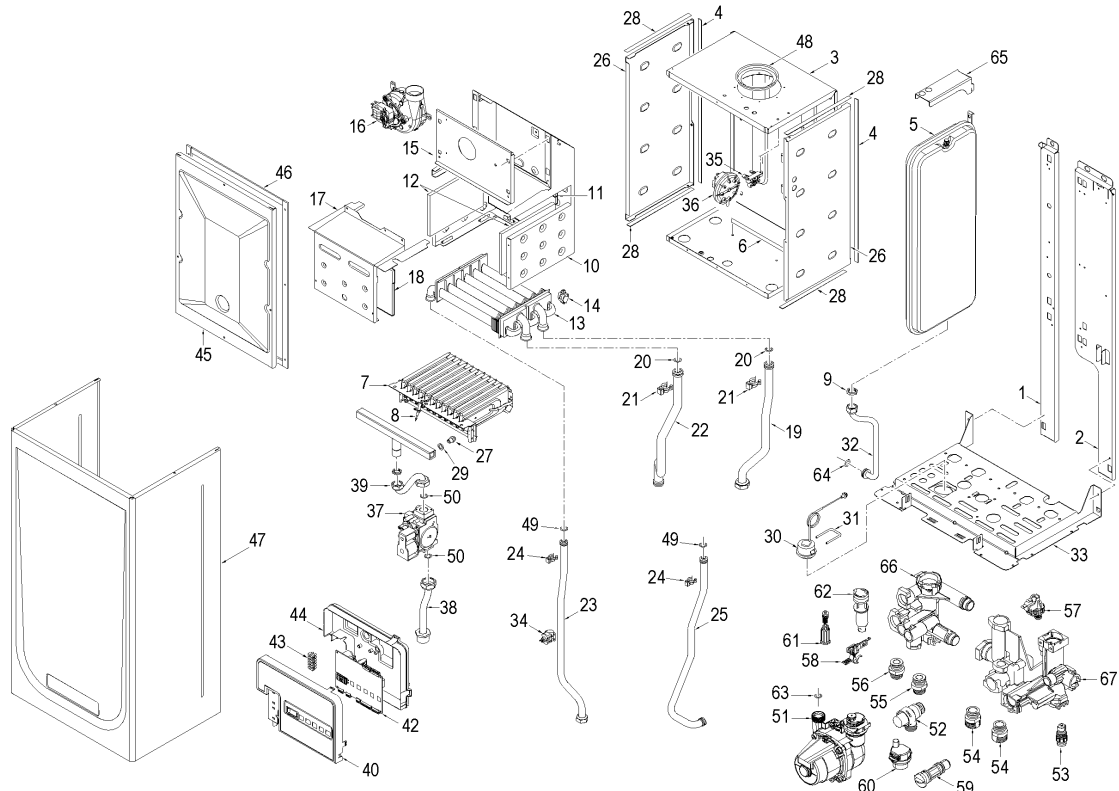
Fonderie Sime S.p.A. - Via Garbo, 27 - 37045 Legnago (VR) - www.sime.it
 Tribunale Verona 13531 - R.E.A. VR 171357 - C.C.P. 19423375 - N° Mecc. VR 014435
 Capitale Sociale Euro 5.521.200 int. versato - Codice Fiscale/Partita IVA n. IT 01275930236

Comfort Ambiente - Via Garbo, 27 - 37045 Legnago (VR)

Tel +39 0442 631111 - Fax Servizio Commerciale: Italia +39 0442 631291 - Estero +39 0442 631293

Fax Servizio Tecnico +39 0442 631292 - Fax Ufficio Acquisti +39 0442 631292 - Fax Amministrazione +39 0442 631336

8107900 CALD.MET. METROPOLIS DGT 25 BF



| Posiz. | Codice | Descrizione | |
|--------|---------|---------------------------------|----------------------|
| 001 | 6318350 | Left hand side frame part | |
| 002 | 6318300 | Right hand side frame part | |
| 003 | 6317600 | Sealed chamber rear panel | |
| 004 | 6229838 | Gasket for sealed chamber | |
| 005 | 5183724 | Rectang. expansion vessel 8 l. | FINO MATR.4037301951 |
| 005A | 5183726 | Rectang. expansion vessel 8 l. | DA MATR. 4037301952 |
| 006 | 6257531 | Air deflector | |
| 007 | 5198210 | Main burner assembly | |
| 008 | 6235932 | Ignition-ionisation electrode | |
| 009 | 6146330 | Nut 1/2" for expansion vessel | |
| 010 | 6318500 | Smoke chamber assembly | |
| 011 | 6318720 | Combustion chamber rear insulat | |
| 012 | 6318710 | Combustion chamber side insulat | |
| 013 | 6174258 | Gas/Water heat exchanger | |
| 014 | 6231362 | NTC sensor | |
| 015 | 6318600 | Sealed chamber front panel | |
| 016 | 6225636 | Fan | |
| 017 | 6317900 | Combustion chamber front panel | |
| 018 | 6318700 | Combustion chamber side insulat | |
| 019 | 6264841 | C.H. return pipe | |
| 020 | 6226412 | O-ring 3068 | |
| 021 | 6226601 | Spring for heat exchanger conne | |
| 022 | 6264773 | C.H. flow pipe | |
| 023 | 6227016 | D.H.W. outlet pipe | |
| 024 | 6226617 | Spring for heat exchanger conne | |
| 025 | 6227115 | D.H.W. inlet pipe | |
| 026 | 6288210 | Sealed chamber side panel | |
| 027 | 6154402 | Main burner nozzle NP 130 natur | METANO |
| 028 | 6229837 | Gasket for sealed chamber | |
| 029 | 6022004 | Copper washer Ø 6 | |
| 030 | 6146111 | Hydrometer | |
| 031 | 6226628 | Hydrometer Fixing spring | |
| 032 | 6017311 | Flexible pipe L=250 | FINO MATR.4037301951 |

| | | | |
|------|---------|---------------------------------|----------------------|
| 032A | 6227692 | Pipe connecting expans. vessel | DA MATR. 4037301952 |
| 033 | 6318000 | Frame assembly lower side | |
| 034 | 6231357 | D.H.W. temperature sensor | |
| 035 | 6229110 | Smoke pressure switch bracket | |
| 036 | 6225715 | Air pressure switch | |
| 037 | 6243833 | Gas valve | |
| 038 | 6226884 | Gas inlet pipe | |
| 039 | 6226958 | Pipe conn. gas valve to burner | |
| 040 | 6304751 | Control panel | |
| 042 | 6301420 | Main P.C.B. | |
| 043 | 2211010 | Terminal strip | |
| 044 | 6305050 | Control panel cover | |
| 045 | 6317700 | Sealed chamber front panel | |
| 046 | 5192208 | Gasket for sealed chamber | |
| 047 | 6317830 | Casing | |
| 048 | 6028621 | Air diaphragm Ø 79 | |
| 049 | 6226444 | O-Ring Ø 13,64 x 2,62 | |
| 050 | 2030228 | Gasket Ø 17x24x2 | |
| 051 | 6272309 | Circulating pump | |
| 052 | 6040211 | Pressure relief valve 3 bar | |
| 053 | 6319603 | Discharger cock | |
| 054 | 6120533 | C.H Nipple | |
| 055 | 6120532 | D.H.W. Nipple | |
| 056 | 6120534 | D.H.W. Nipple exit | |
| 057 | 6037504 | Water pressure switch | |
| 058 | 6319601 | Sensor hall complete | |
| 059 | 6319640 | By-pass | FINO MATR.4039302322 |
| 059A | 6319641 | By-pass 2 (new) | DA MATR. 4039302323 |
| 060 | 6013182 | Automatic air vent | |
| 061 | 6319634 | Filling cock | |
| 062 | 6319633 | Flowmeter without reg. of capac | |
| 063 | 6226457 | O-ring 12bis diam. 16x1,90 | |
| 064 | 6226464 | O-ring 115 diam. 11,91x2,62 | |
| 065 | 6267112 | D.H.W. expans. vessel locking b | FINO MATR.4037301951 |
| 066 | 6319697 | D.H.W. Technyl manifold group | |
| 067 | 6319696 | C.H. Technyl manifold group | |
| 702 | 5197950 | Complete control panel | |
| 706 | 6316252 | 6 pole Stocko connector CN6 | |
| 707 | 6316253 | 9 pole Stocko connector | |
| 708 | 6316254 | 14 pole Stocko connectorCN4 | |
| 710 | 6319699 | Split pin kit for hydraulic gro | |
| 711 | 6319698 | O-ring kit for hydraulic group | |
| 712 | 5144716 | Conversion kit to LPG | |
| 716 | 6281534 | Gaskets kit | |
| 717 | 6319695 | Murelle-Format-.....o-ring kit | |
| 718 | 5198390 | Technyl hydraulic group | |
| 719 | 5185403 | Convers. kit to nat. gas 25-30- | |
| 720 | 8076110 | Expas.major vassel ZILMET | FINO MATR.4037301951 |
| 722 | 6211792 | Hydraul. group Bitron caps kit | |